

7

7.3. CRATES, PALLETS AND RACKS for optimized storage and transportation



STORING AND INSTALLATION AT CONSTRUCTION SITES



ROBUSTA
GAUKEL



Your benefits at a glance:

- **These transport and storage pallets can be hoisted by crane – indispensable on every construction site!**
- **Safe transportation of loose material and formwork accessories**
- **The pallets can be personalised for rapid recognition on a construction site**
- **Galvanized for a long service life**
- **Sturdy steel base**
- **ROBOX type harmonised with standardised cage pallet dimensions**
- **MAXI type for the optimum transportation and storage of 40 tripod prop holders; can be folded, and with folding side walls, to facilitate loading and unloading**
- **Wheel connections and wheels can be supplied for ease of movement on a construction site**
- **Can be personalised with your company logo for easier recognition at a construction site**

During the transportation of small items to sites many problems occur because of inappropriate packaging, when the material is stacked and corded on wooden pallets or packed in standard mesh carriers.

There are no points of suspension, because of that a save fixing of the crane chains is not possible. In the depot the goods usually are handled with forklifts. To the contrary on the sites there are mostly cranes with bridle marrings with hooks.

Arbitrary modified standard boxes with cush neshes to produce space for the crane hooks are dangerous unsuitable alternative.

For these reasons we decided to develop crates for save use on building sites.

Thereby we offer to you the perfect solution for storing and transportation of tripods and kinds of small items.

Very important for use:

All versions of transportation crates are cranable with 4 stable attachments.

At the rigid EURO-Box they are incorporated to the stringers. All crates got a sturdy steel base as well and are hot dip galvanized for a long durability.

Our Service:

On request we will produce the ROBUSTA-box in an individual look with your company logo.

Transportation crate "Maxi"

Especially tripods are difficult to handle at storing or transportation.

Especially for this purpose we developed the transportation crate „Maxi“ that fits for exactly 40 tripods.

The hinged walls can be folded, with that the empty crate can be stored on the site or transported back to the warehouse in collapsed space-saving condition.

Additionally 2 side walls can be folded outwards completely, this makes it easy for the worker to store or take out the materials in the lower layer.





Here another advantage:

With 4 full or 12 empty and folded boxes the truck space with a width of 2.40 m is fully used (illustration ①).

For the storing and the transport up to 12 folding boxes can be stacked space saving (illustration ②).

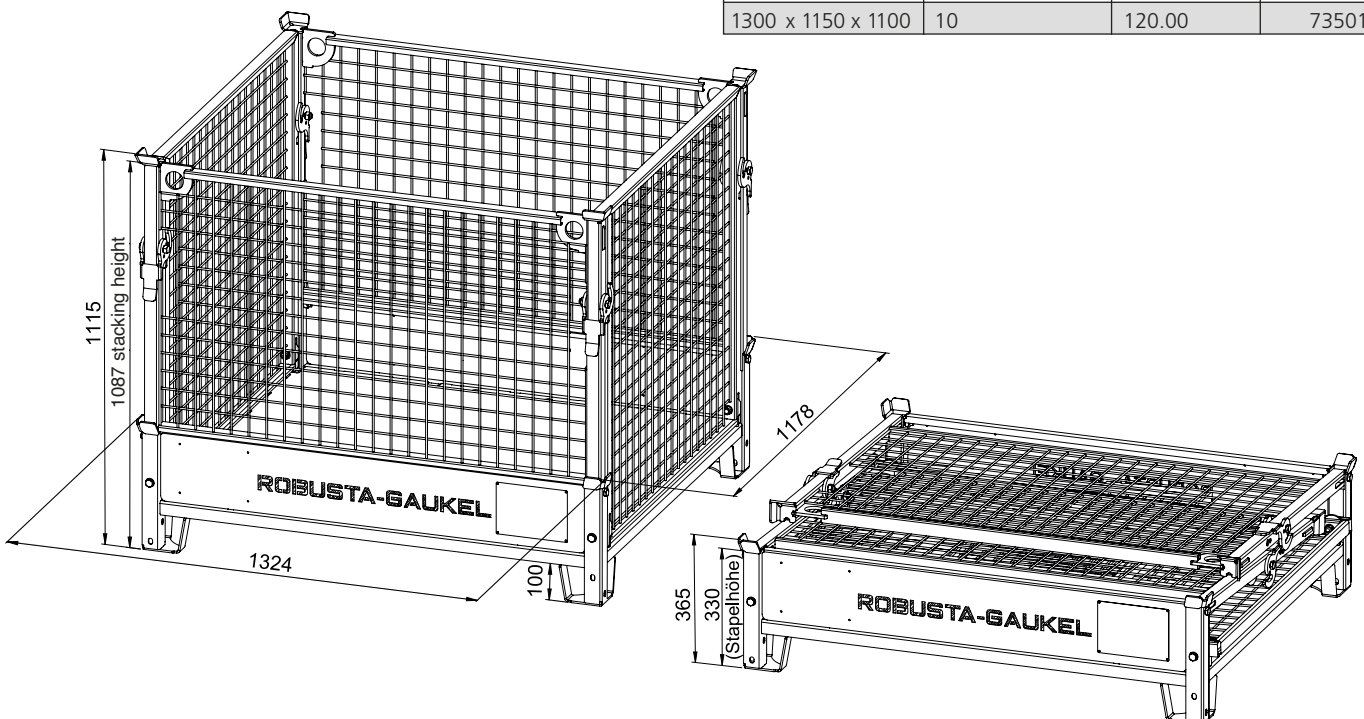
This is extremely important on sites where there is practically no extra space available.



TECHNICAL DATA:

Transportation crate "Maxi"

Sizes LxWxH [mm]	Adm. load [kN]	Weight [kg/unit]	item No.
1300 x 1150 x 1100	10	120.00	735010





Transportation crate "ROBOX"

Complementary to our foldable crate "MAXI" for tripods we offer crates with outer sizes fitting to usual standard mesh crates.

Thus implies that these crates can be combined without any problem.

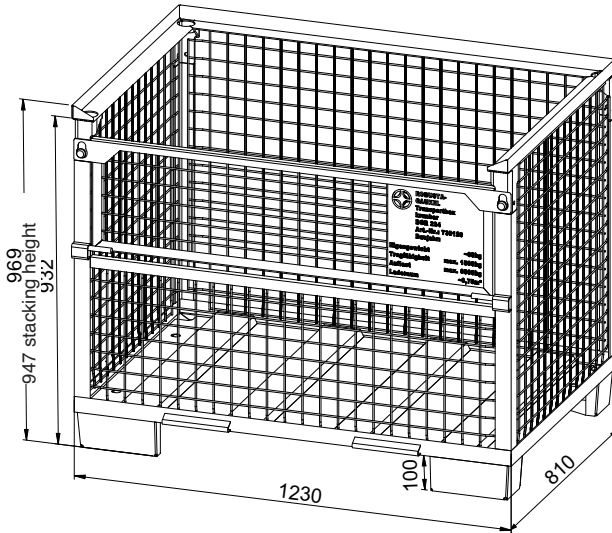
Of course these crates are also cranable, at the rigid version the crane attachments were incorporated to the stringers (see detail photo below).



Transportation crate "ROBOX"

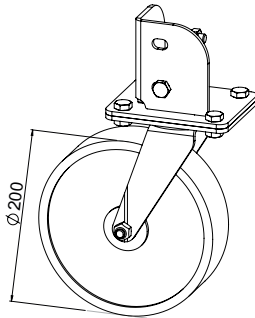


TECHNICAL DATA:



Transportation crate "ROBOX"

Sizes L x W x H [mm]	Adm. load [kN]	Weight [kg/unit]	Item No.
1250 x 830 x 980	15	80.00	735120



Wheels with fitting attachment, set with 4 units 2 x caster wheel, 2 x fixed wheel

Weight [kg/unit]	Item No.
6.0	739988





Your benefits at a glance:

- Safe storing and transportation of long material
- Adjustment on sites and storing areas
- Economizing storing and stacking
- Protection of material
- Admissible load up to 1500 kg

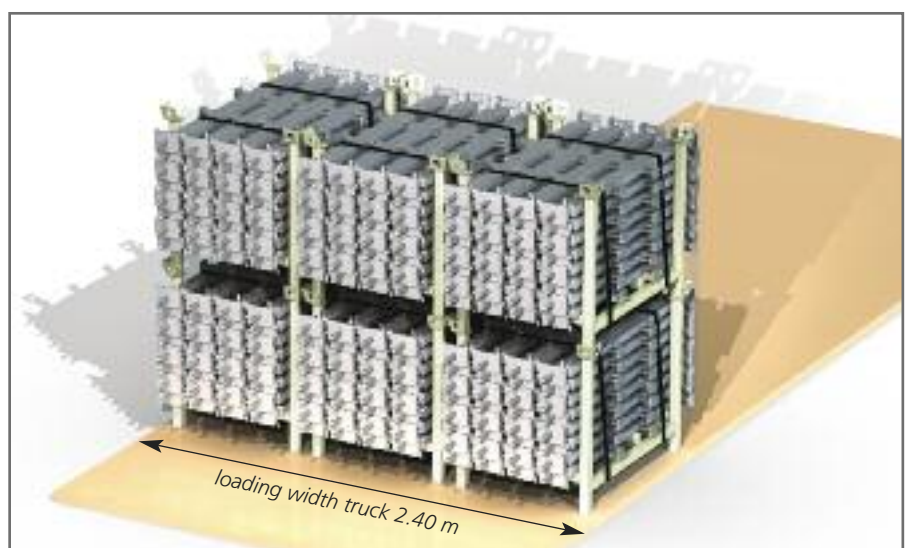
For save storing and transportation of long material like props, aluminium-resp. wooden beams or railing posts we offer racks and stacking pallets for universal use.

Thus result small stacking dimensions as well as an optimized saving of space on the trucks and on building sites.

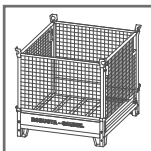
With big dimensioned tulips it is easy to stack our racks on upon the other.

The standard stacking pallet is our inexpensive variety, the reinforced stacking pallet is constructed more stable and offers the possibility to insert and remove the material by forklifts.

On request we deliver wheels for an easy moving on the site.



6 storing racks for railing posts can be stacked on a truck width.
Up to 468 railing posts on a length of about 1.60 m.

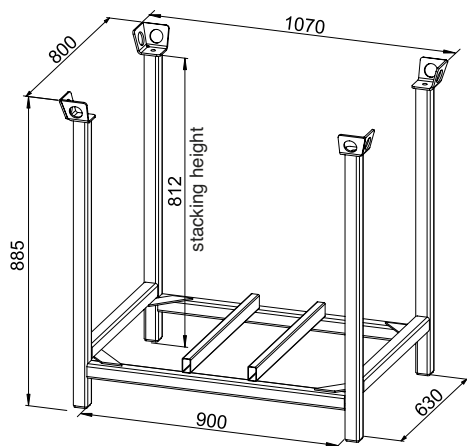


CRATES, RACKS AND PALLETS

7

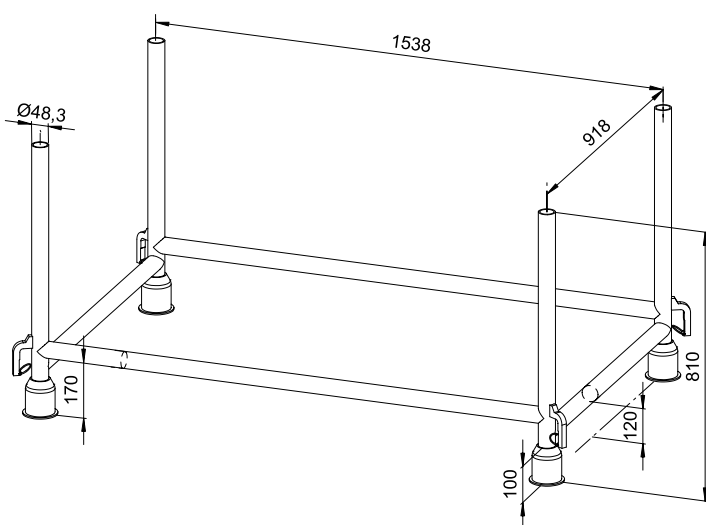
STACKING PALLETS AND RACKS

TECHNICAL DATA:



Rack for storing and transportation of railing posts, fitting for all versions

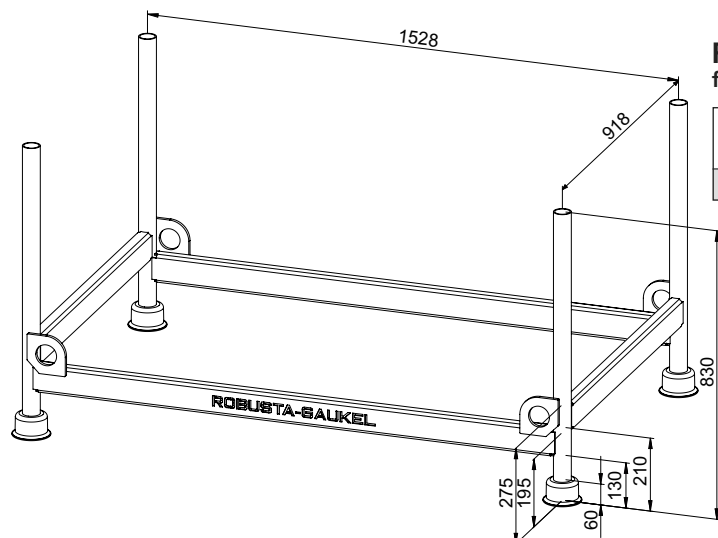
Weight [kg/unit]	Item No.
48.0	639903



Rack, standard version, stackable, galvanized, for crane transportation

Size L x W x H [mm]	Adm. load [kN]	Weight [kg/unit]	Item No.
1638 x 1018 x 810	38.0	15.0	639901

**outer dimensions*



Rack, reinforced version, stackable, galvanized, for crane and fork-lift transportation

Size L x W x H [mm]	Adm. load [kN]	Weight [kg/unit]	Item No.
1633 x 1023 x 830	52.0	15.0	639902

**outer dimensions*



ROBUSTA-GAUKEL GMBH & CO. KG

Headquarter:

Brunnenstraße 36
D-71263 Weil der Stadt-Hausen
Phone: +49 70 33 537 10
Fax: +49 70 33 537 131
Internet www.robusta-gaukel.com
E-Mail info@robusta-gaukel.com

Berlin office:

Rohdestraße 19
D-12099 Berlin (Tempelhof)
Phone: +49 30 75 70 70 00
Fax: +49 30 75 70 70 07
Internet www.robusta-gaukel.com
E-Mail nl-berlin@robusta-gaukel.com