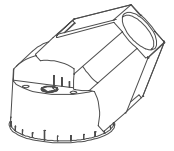
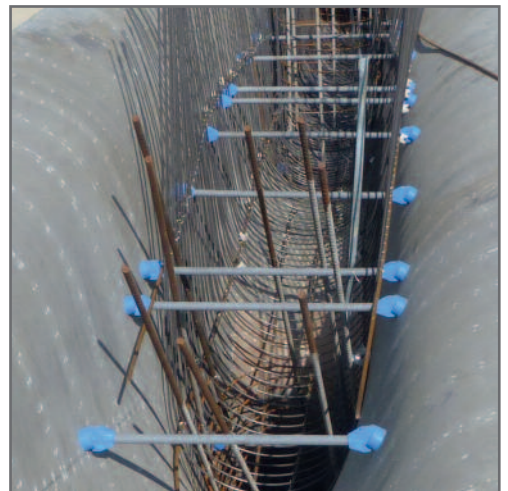


5

5.3. ANGLE CONE and accessories



ACCESSORIES FOR FORMWORK CONSTRUCTION

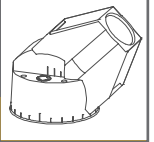


ROBUSTA
GAUKEL

5

ANGLE CONE AND ACCESSORIES

GENERAL INFORMATION



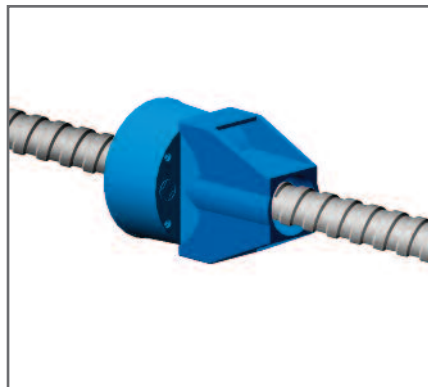
Your benefits at a glance:

- Infinitely variable anchoring angle can be adjusted between 45° and 90°
- 2 diameters available – D&W 15 mm (blue colour, in future rec colour), D&W 20 mm (yellow)
- Savings on time and money thanks to its simple assembly – no need for time-consuming solutions at a construction site
- The cone base can be easily removed with our removal tool
- A circular opening always remains once the cone base has been removed
- Opening can be easily closed off with fine cone concrete
- Homogeneous facing concrete surface

Often during formwork constructions problem situations are occurring at haunched or not parallel placed formwork surfaces. On sites there has to be improvised with lots of time effort, which will not come to a satisfying result. Unpleasant concrete surfaces will result because of standard cones with inclined cut, and the gluing in of concrete cones into these elliptic deepenings is not possible. With the 2-part angle-cone these problems are past. This well planned part can be used individually at inclined anchoring points and offers a satisfying solution for problems with exposed concrete.

The ROBUSTA-angle-cone consists of two parts:

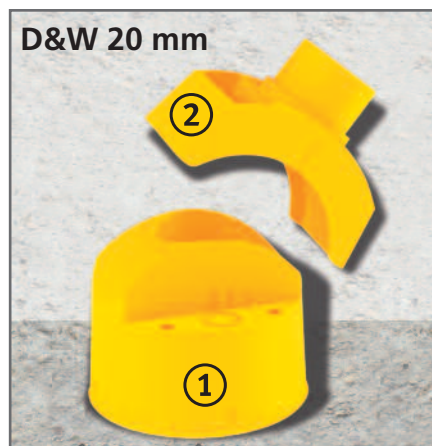
1. the **basic cone** ①, with sealing lid, recoverable
2. the swingable **head piece** ②, non-recoverable, with angle-markings for accurate installation, flange for installing coupling nut or spacer tube according to wall thickness.



angle of the bar in relation to the surface of the formwork 90°



maximum position of angle 45°

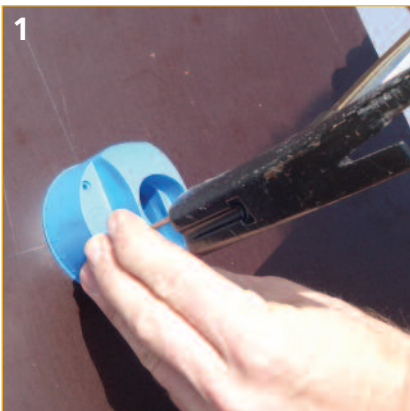


Accessory: removing-tool

With this special designed **removing-tool** an easy and careful removing of the basic-cone ist guaranteed.



Installation and removal:



The basic cone will be fixed to the wooden shuttering with 4 nails. Fitted marks at the circuit in a 15°-raster will ease the alignment around the longitudinal spindle in an angle righteous way



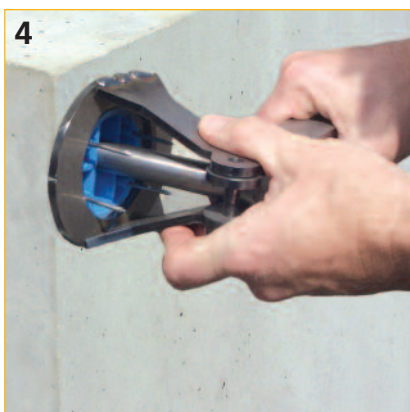
With the spacer tube \varnothing 22 / 26 the headpiece will be put up in the requested angle.



Alternatively a coupling nut can be fixed for a better support. By inserting and tightening a short rod, the basic-cone with sealing lid will be pressed firmly against the wooden shuttering.



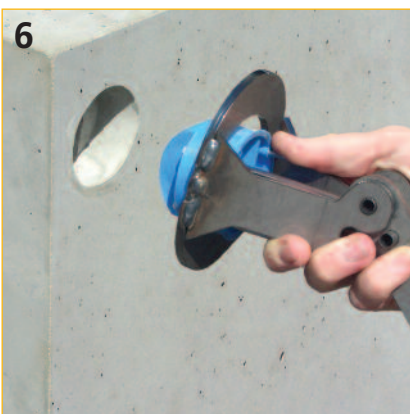
After removing the shuttering the removing-tool will be put on to the basic cone. The oval-shaped peg grasps into the provided opening.



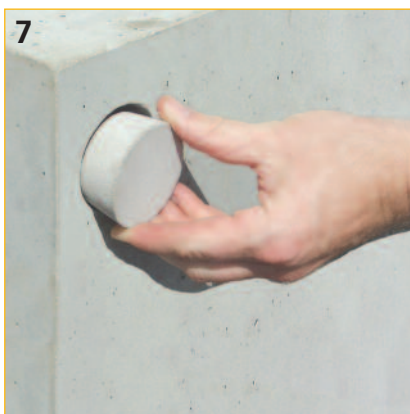
By swivelling through 90 ° the oval-shaped peg grips into the cone. Because of the all-around support of the concrete a breaking off at the edges will be avoided.



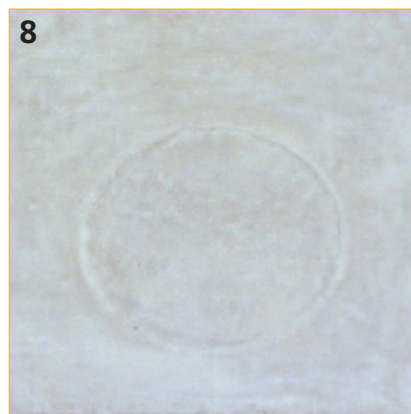
Carefull and controlled pulling out by revolving the long lever.



After the removing there will remain a circular cutout.



This can be closed easily with the refined-concrete cone. It will result a homogeneous visible concrete surface.



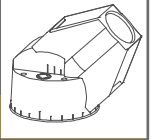
Glue in refined-concrete cone, perfect exposed concrete surface is the result!



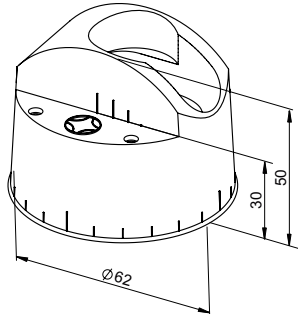
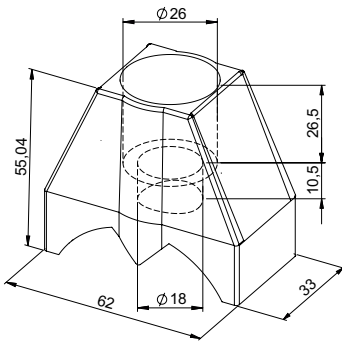
5

ANGLE CONE AND ACCESSORIES

GENERAL INFORMATION

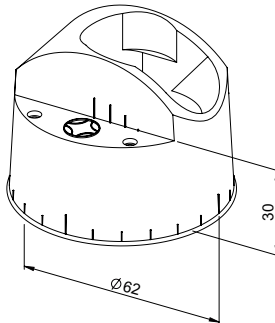
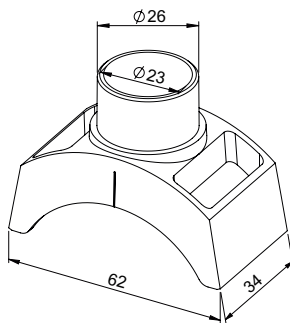


TECHNICAL DATA:



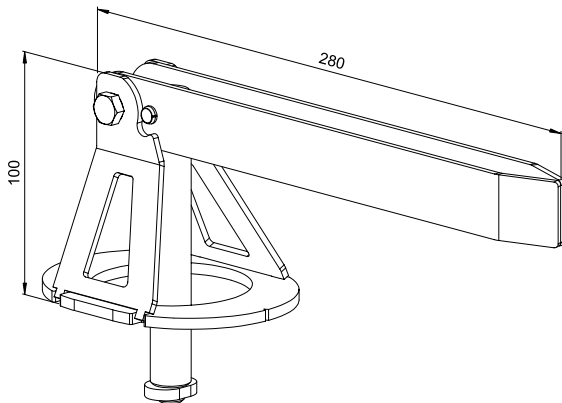
Angle-cone D&W 15 mm

Parts	Weight [kg/100 units]	Item No.
angle-cone, complete, 2-part	5.55	511845
basic cone, recoverable	3.35	511846
headpiece, non-recoverable	2.20	511847



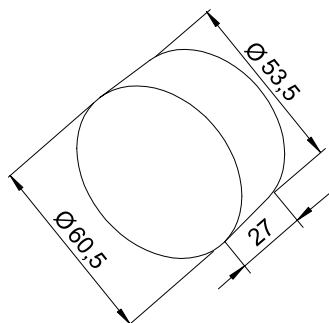
Angle-cone D&W 20 mm

Parts	Weights [kg/100 units]	Item No.
angle-cone, complete, 2-part	5.55	512045
basic cone, recoverable	3.35	512046
headpiece, non-recoverable	2.20	512047



Removing-tool

Weight [kg/unit]	for angle cone Ø [mm]	Item No.
1.08	15	511899
1.08	20	512098



Fine grained concrete cone

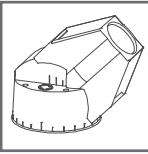
fitting for all recoverable clamping-flanges

Weight [kg/unit]	Item No.
0.14	109930

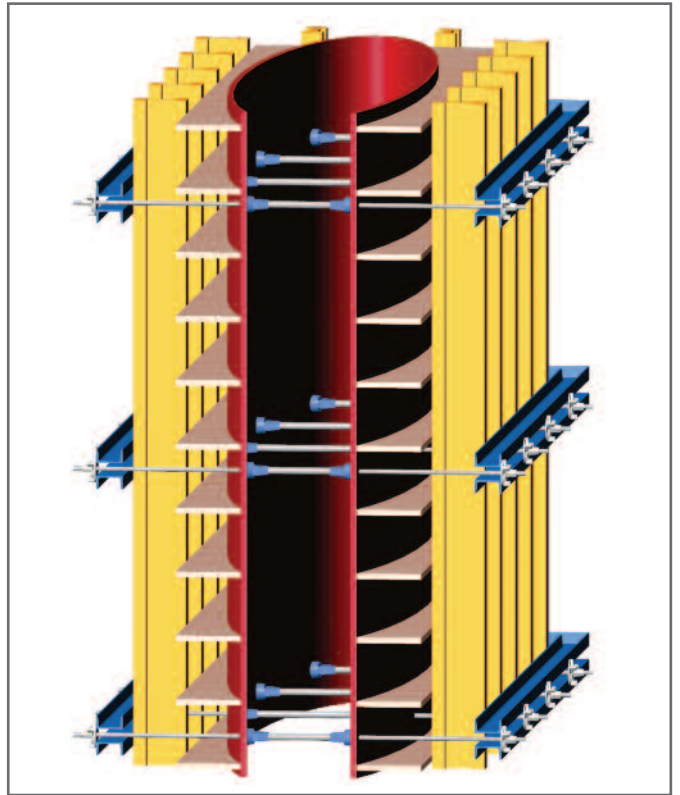
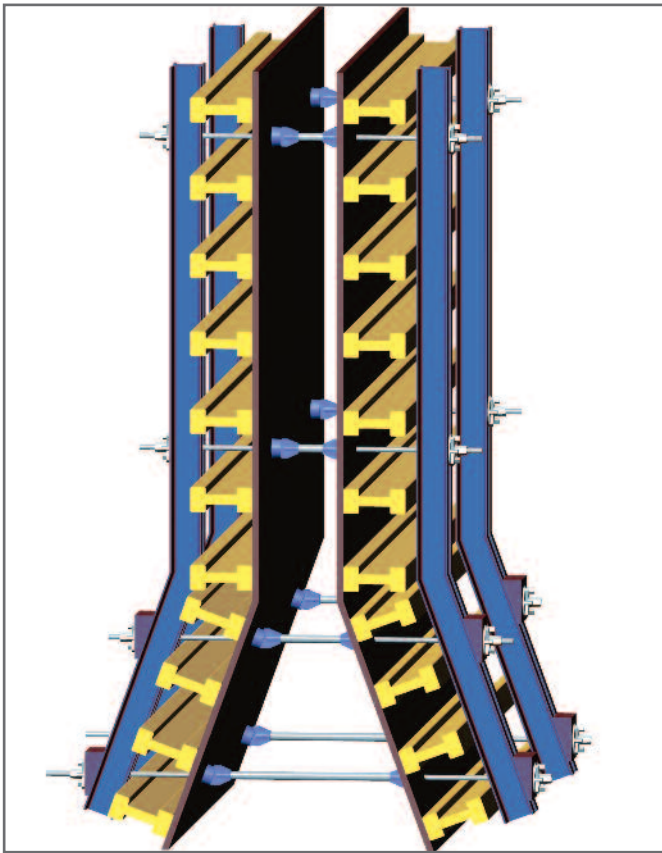
2-component-glue

to glue in fine grained concrete cone

Weight [kg/unit]	Item No.
2 x1.0	109931



Examples:



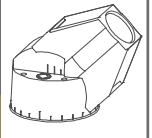
also usable at curved surfaces



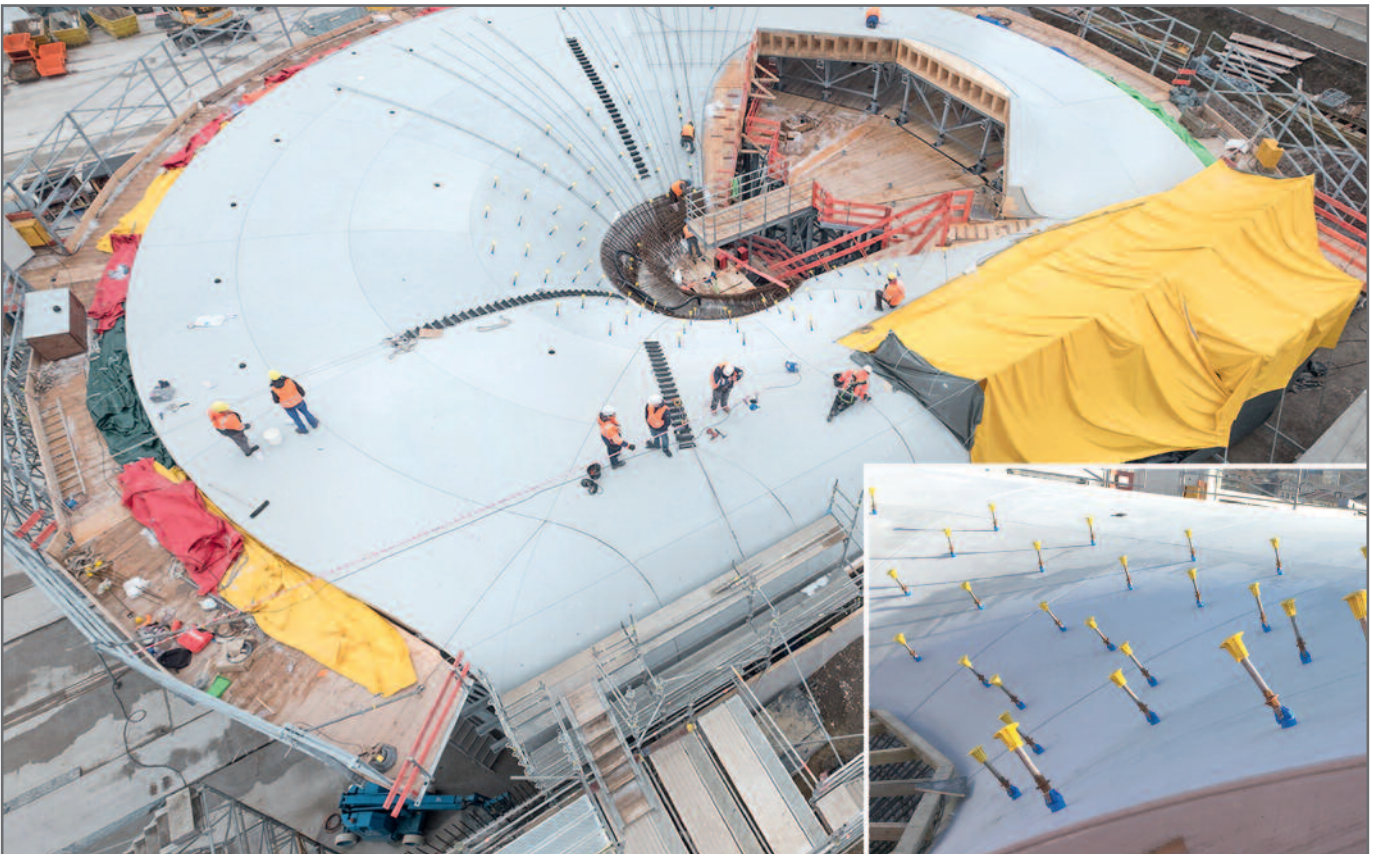
5

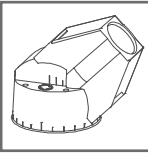
ANGLE CONE AND ACCESSORIES

GENERAL INFORMATION



Examples:





ANGLE CONE AND ACCESSORIES

5

GENERAL INFORMATION

Examples:



ROBUSTA-GAUKEL GMBH & CO. KG

Headquarter:

Brunnenstraße 36
D-71263 Weil der Stadt-Hausen
Phone: +49 70 33 537 10
Fax: +49 70 33 537 131
Internet www.robusta-gaukel.com
E-Mail info@robusta-gaukel.com

Berlin office:

Rohdestraße 19
D-12099 Berlin (Tempelhof)
Phone: +49 30 75 70 70 00
Fax: +49 30 75 70 70 07
Internet www.robusta-gaukel.com
E-Mail nl-berlin@robusta-gaukel.com