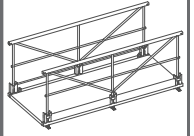


# 3

## 3.6. MULTI WALKWAY and accessories



**SAFETY TECHNOLOGY**

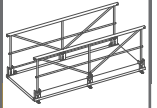


**ROBUSTA**  
GAUKEL

# 3

## MULTI WALKWAY AND ACCESSORIES

### GENERAL INFORMATION



#### Your benefits at a glance:

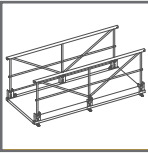
- Cross over safely from an embankment to a building, from a building to a crane or from one floor to another above an inner courtyard
- Rapid assembly; safe and rapid implementation
- Very anti-slip floor surface made from galvanised steel is also very resistant to contamination
- Good stability thanks to the two side protection frames, which act structurally as truss girders
- Permissible payload 1.5 kN/m<sup>2</sup> with an unsupported span width of 9 m
- Can also be utilised as an escape route with a greater 2 kN/m<sup>2</sup> payload and 6 m unsupported length permissible
- Height mismatch between the walkway's upper edge and concrete floor can be bridged with an optional apron plate as ramp (eliminates the step when using the walkway with a wheelbarrow)
- Side protection frame can be folded and walkway stacked for saving space in transportation and storage
- All means of connection are included in the scope of delivery; no additional parts and improvisations with wooden planks necessary at a construction site
- Suitable for both new and renovation construction work

To produce passages on sites people work with a lot of phantasy. Solutions with wooden girders, placed wooden boards and only partly mounted side protection are not safe and do not offer protection against falling.

This is even more critical when workers have to use the walkway while carrying materials.







# MULTI WALKWAY AND ACCESSORIES

# 3

## GENERAL INFORMATION



Of course there are also safe solutions with side protection on sites. These have to be mounted with lots of effort and the admissible load is being determined instinctively and not by static proof. The MULTI walkway guarantees a safe crossing for staff and materials. All parts of the walkway are statical proved for the imposed loads. The moving of the walkway in one piece saves a lot of time and is more safe than the mounting and dismantling of single parts.

### Extra safe:

The side protection height of 1.20 m gives a safe feeling in bigger heights. The boards are installed fix. Because of the anchoring holes provided at all 4 edge points a safe fixing is guaranteed against sliding.

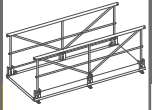




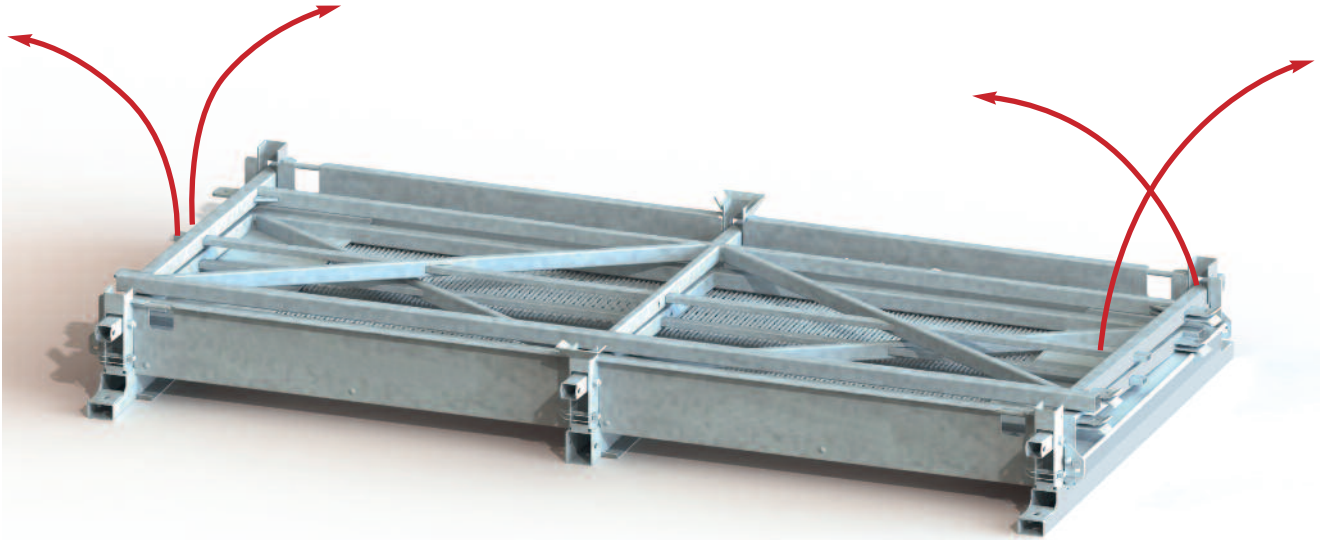
# 3

## MULTI WALKWAY AND ACCESSORIES

### MOUNTING



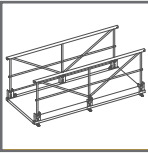
#### MULTI walkway: mounting with system – quick and easy ready to use



The MULTI walkway will be delivered with included mounted side protection and also on request with mounted pivoting cover plates. Both side protection rails will be folded out one after each other and fixed in a vertical position with two safety bolts. After that the pivoting cover plates will be folded out and the MULTI walkway is ready to use! The coupling of several elements is possible even as quick and easy: 4 cross bolts per joint have to be installed at the coupling lashes of the side protection rails.







## MULTI WALKWAY AND ACCESSORIES

# 3

### OPERATIONAL POSSIBILITY AS PASSAGE OR ESCAPE PATH

It is possible to couple any number of elements each at a length of 3.00 m one after each other.

For the normal use as a walkway 3 coupled elements can cover a length of approx. 9.00 m without support.

The admissible area load in this case is 1.5 kN/m<sup>2</sup>, calculated with a length of 9.00 m this results in a total load of approx. 16 kN (approx. 1.6 to).

For the use as an escape path a higher area load of 2.0 kN/m<sup>2</sup> is possible.

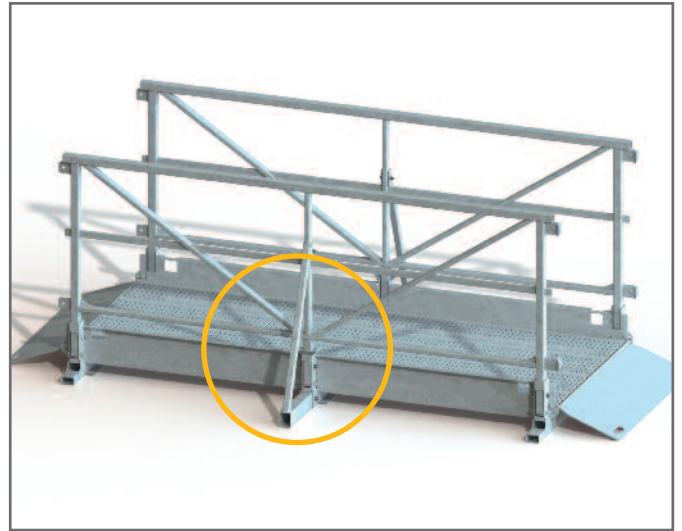
In this case a length of approx. 6.00 m can be covered without support.

Additionally the side protection for higher lateral loads is stiffened with diagonal struts.

If there are supports necessary for bigger lengths, all standard parts of our Alu heavy duty prop program can be used.



*MULTI-walkway elements stapled for transport and stocking*



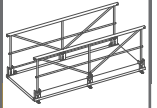
*Detail of diagonal strut*



# 3

## MULTI WALKWAY AND ACCESSORIES

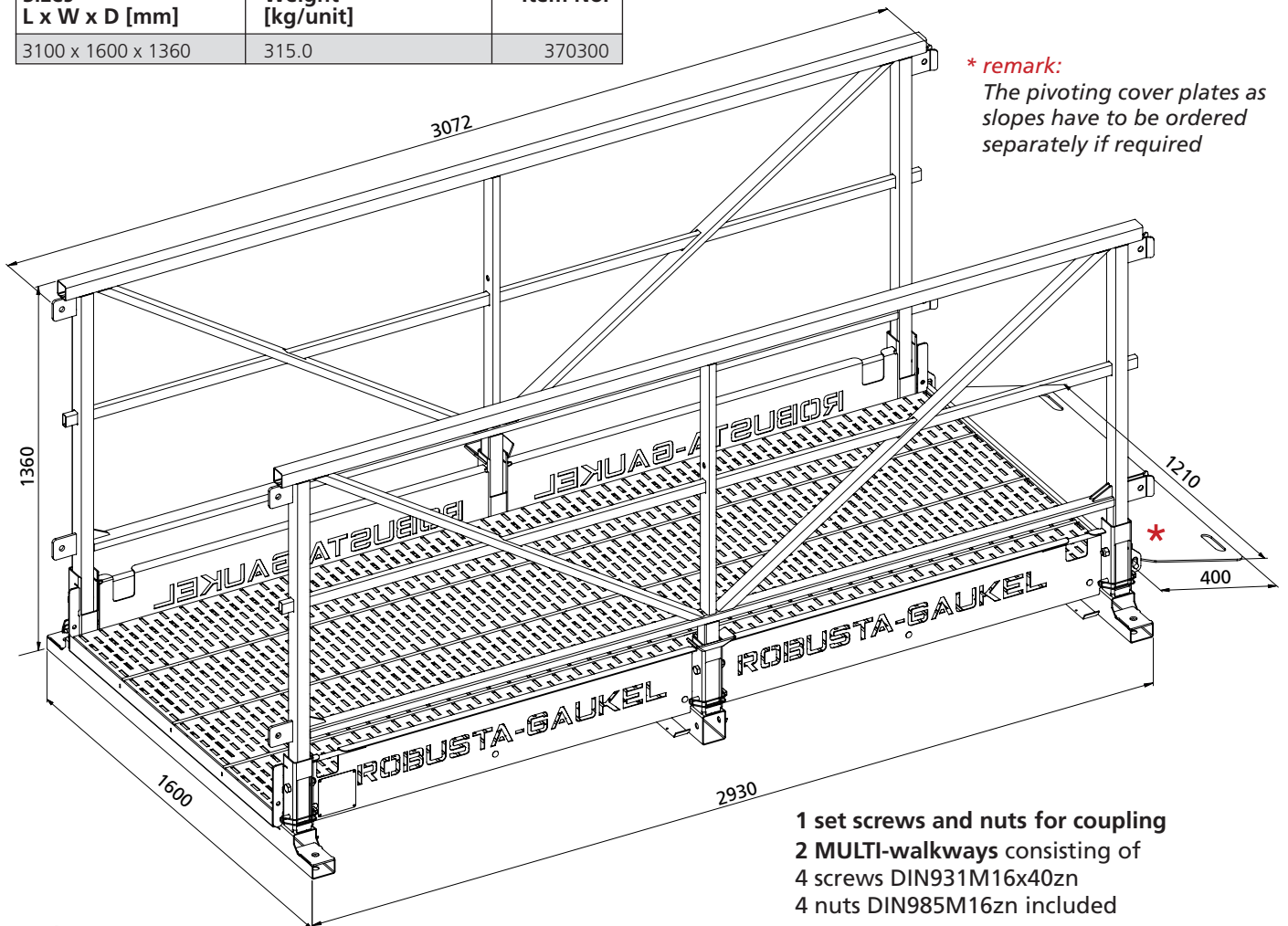
### GENERAL INFORMATION



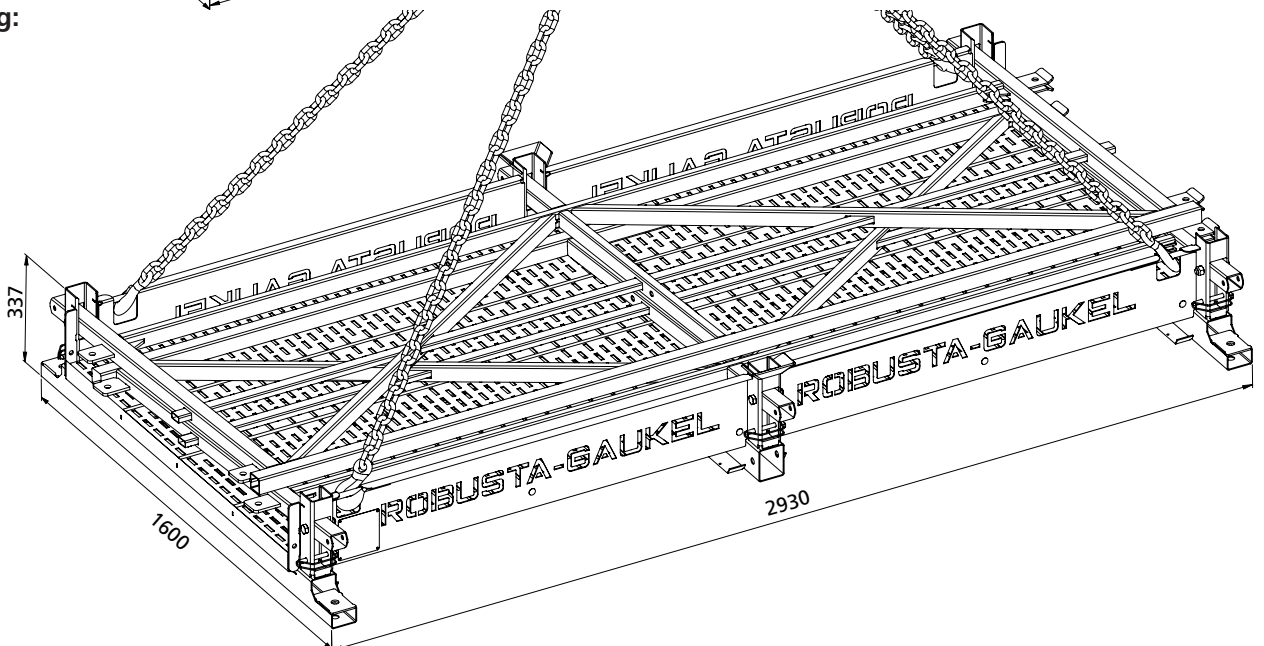
#### TECHNICAL DATA:

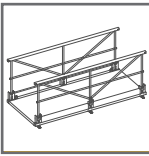
#### MULTI walkway

Sizes L x W x D [mm]	Weight [kg/unit]	Item No.
3100 x 1600 x 1360	315.0	370300

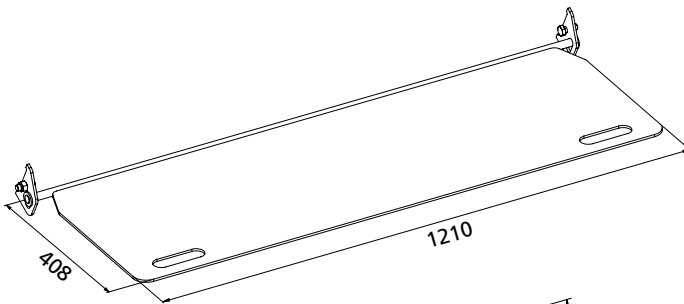


#### Packaging:





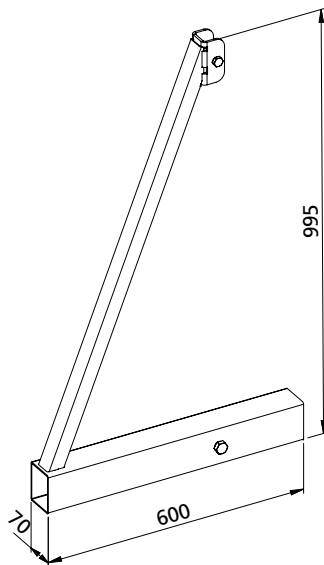
### TECHNICAL DATA:



**Pivoting cover plate** as a slope for walkway, galvanized

Weight [kg/unit]	Item No.
22.0	370303

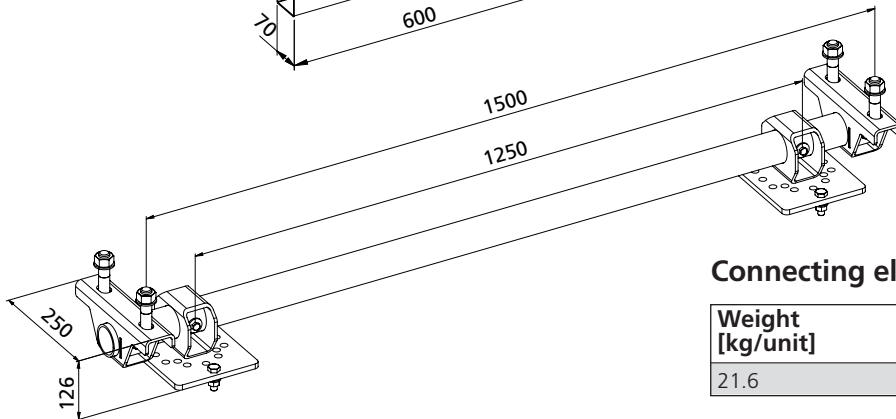
*complete with fixing bolts*



**Diagonal struts** for MULTI walkway, galvanized

Weight [kg/unit]	Item No.
8.0	370304

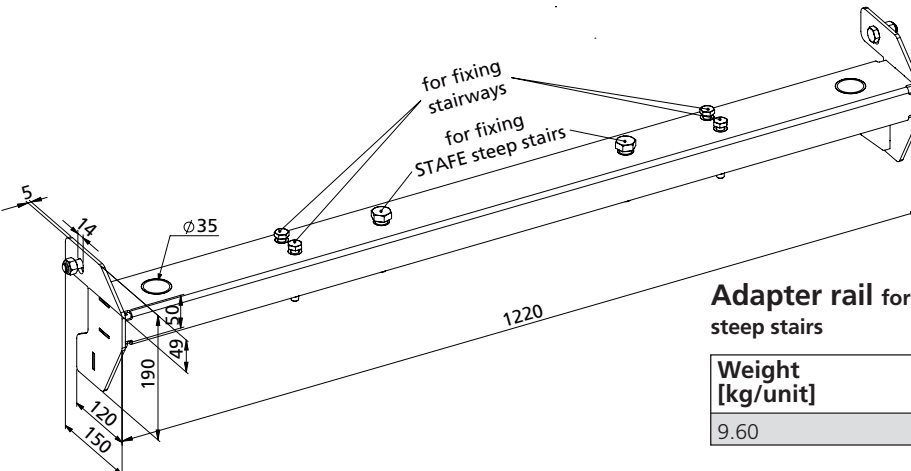
*complete with fixing bolts*



**Connecting element** for intermediate supports, galvanized

Weight [kg/unit]	Item No.
21.6	370305

*complete set with fixing bolts*



**Adapter rail** for safe connecting of STAFE stairways and steep stairs

Weight [kg/unit]	Item No.
9.60	370306

*complete set with fixing bolts*





## **ROBUSTA-GAUKEL GMBH & CO. KG**

### **Headquarter:**

Brunnenstraße 36  
D-71263 Weil der Stadt-Hausen  
Phone +49 70 33 537 1-0  
Fax +49 70 33 537-31  
Internet [www.robusta-gaukel.com](http://www.robusta-gaukel.com)  
E-Mail [info@robusta-gaukel.com](mailto:info@robusta-gaukel.com)

### **Berlin office:**

Rohdestraße 19  
D-12099 Berlin (Tempelhof)  
Phone +49 030 75 70 70 00  
Fax +49 030 75 70 70 07  
Internet [www.robusta-gaukel.com](http://www.robusta-gaukel.com)  
E-Mail [nl-berlin@robusta-gaukel.com](mailto:nl-berlin@robusta-gaukel.com)