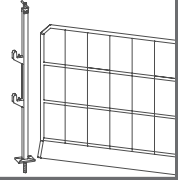


3

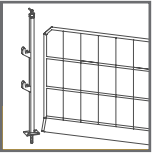
3.4. SAFETY BARRIER with mesh elements



SAFETY TECHNOLOGY



ROBUSTA
GAUKEL



Your benefits at a glance:

- **Mesh elements and posts with storage racks** – a rapid, safe system that is economical in every respect!
- **Fulfils and exceeds requirements according to DIN EN 13374**
- **Mesh elements with a quadratic tube running around the sides and top for safe, convenient handling**
- **Easy-to-use: simply hang the elements onto the posts**
- **Post intervals up to max. 2.50 m – height 1.20 m**
- **Various possibilities for fastening the posts available**

The **mesh barrier system** offers a perfect and complete safety solution without using wooden boards. Railing posts and mesh barriers are delivered to site on the storage racks so that everything required to quickly and easily erect edge protection is immediately available.

No other components are needed eliminating the expense of nails, hammers, timber as well as the time wasted locating them.

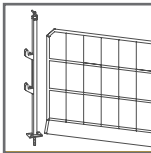
All components fit together perfectly and can be stored in a proper and space saving manner on the storing racks. Mesh barriers, railing posts and storage racks can be positioned easily anywhere on the construction site.

The new mesh barrier element offers a great number of advantages to various applications:

- Weighing less than 25 kg** each element can be easily carried by one man.
- The mesh barrier frame is **manufactured from 25 mm square tube** with ergonomic round chamfered edges for easy and comfortable handling thus avoiding painful working with the thin bars and protruding ends of other barrier systems.
- The **2.50 metre distance** between the railing posts gives a useful and easily defined raster. Offers quick distance reference and easy calculations in multiples of 2.5 e.g. 2.5, 5, 7.5 etc.
- When overlapping is necessary **two mesh barrier elements can be hung on each post** without ridges.
- The **very strong but lightweight construction** can withstand high wind speeds and be used on buildings **up to a height of 200 metres**.

The system is certified with the GS sign as it has been given technical approval for employee safety and security on construction sites by German Authorities.





SAFETY BARRIER WITH MESH ELEMENTS

3

GENERAL INFORMATION

Application and assembly is fast and simple:



The storage rack provides an ergonomic working position reducing back and joint strain and fatigue and allows quick and easy movement and installation of the mesh barrier system components.
The mesh barrier can be removed directly from the storage rack and hooked directly on to the railing post in one movement thereby avoiding twisting the body or having to put down and reposition the barrier prior to hanging.
This method saves a lot of time and provides effortless working.

Continuous square tubular frame with round chamfered edges: no sharp edges prevents injury: offers high stability.

Railing post with double hook: safe horizontal fixing in all directions

Each pair of hooks has 2 traps ensuring ridgeless overlapping of two mesh barriers

2 rigid middle rails: durable and strong, withstands torsion.

Mesh opening is smaller than required by EN13374

Extremely rigid: general load 1 kN proven by structural analysis

Wide distance between posts: 2.50 m

Height of mesh barrier 1.20 m complies to new regulations and offers even more safety, especially on buildings up to 200 m height.

Toeboard with additional tube profile welded to the lower edge: extremely rigid against deformation

Toeboard height 15 cm, bent, no gap between toeboard and ground

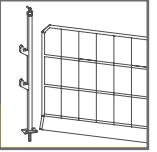
Weight: less than 25 kg – can be handled by one person



3

SAFETY BARRIER WITH MESH ELEMENTS

ACCESSORIES



Accessory to secure door openings:

Clamping hook

The mesh barrier elements offer an easy striking solution to ensure prompt safeguard of opened elevator doors.

Just place the barrier in front of the wall, fit the hook ties at the upper middle rail and press the barrier against the wall. This gives a completely safe fixing against stress and forces..



Wall fastener for doweling

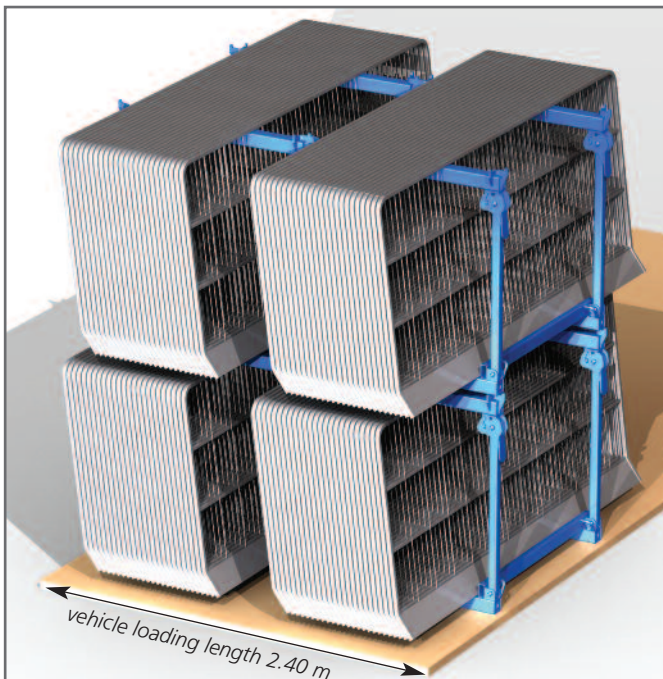
The wall fastener for doweling into walls is available in 2 different versions:

Single type fastener for the use with single mesh barrier elements, twin version usable for 2 overlapping mesh barrier elements.

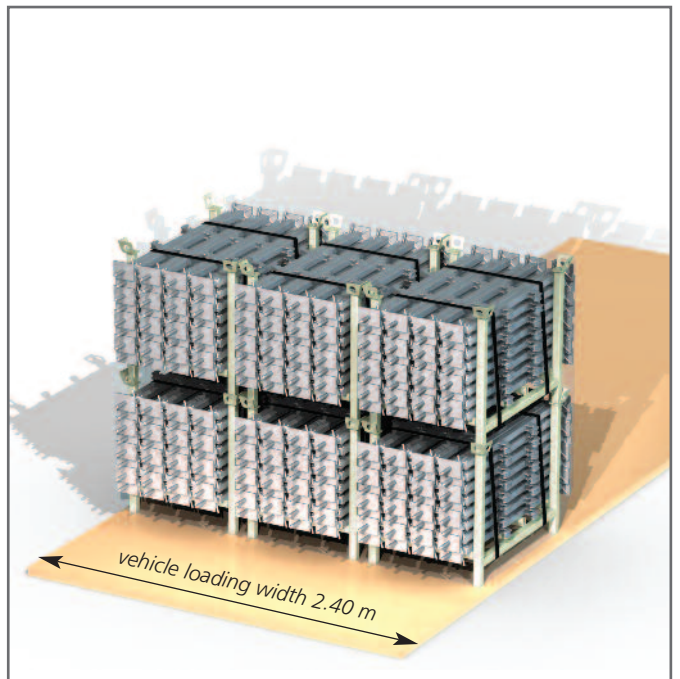


Storing and transport

Compact height when stacked; minimising transport costs and optimising maximum utilisation of space when stored and on site.

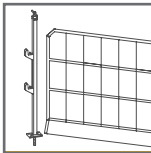


100 mesh barrier elements in 4 racks of 25 barriers require a loading length of 2.70 m



6 storing racks for railing posts can be stacked on one truck-width. Up to 468 posts require a loading length of approximately 1.60 m (see page 9).





SAFETY BARRIER WITH MESH ELEMENTS

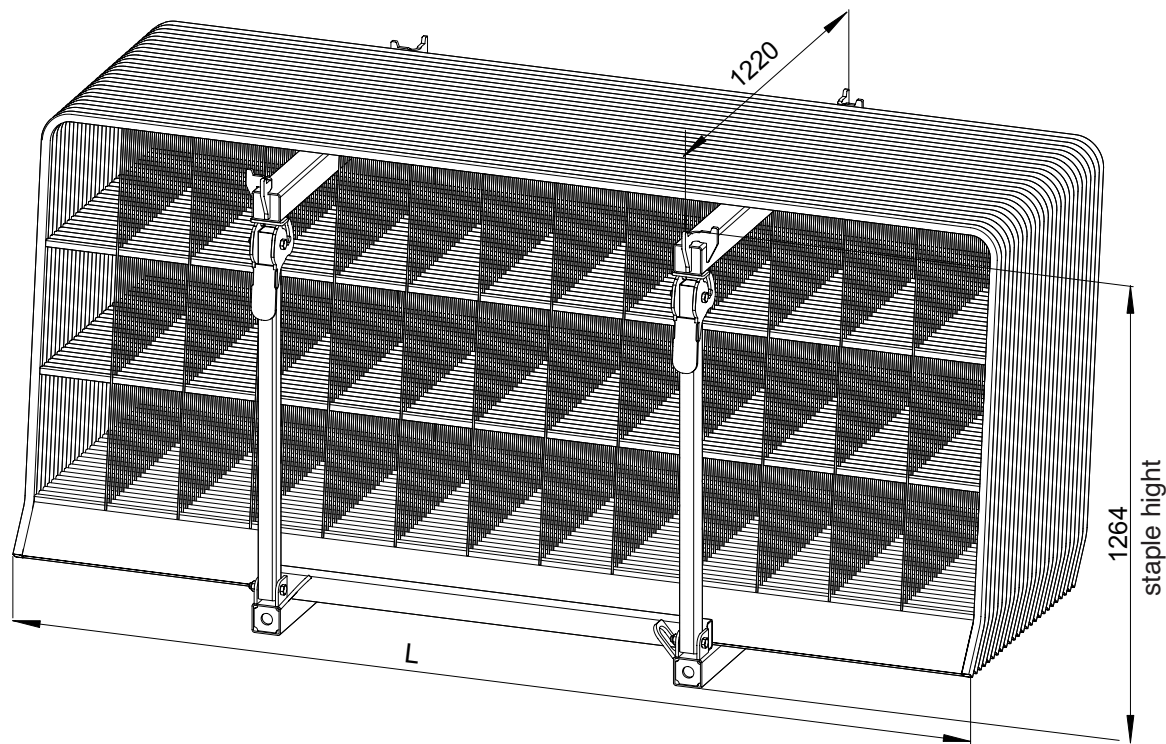
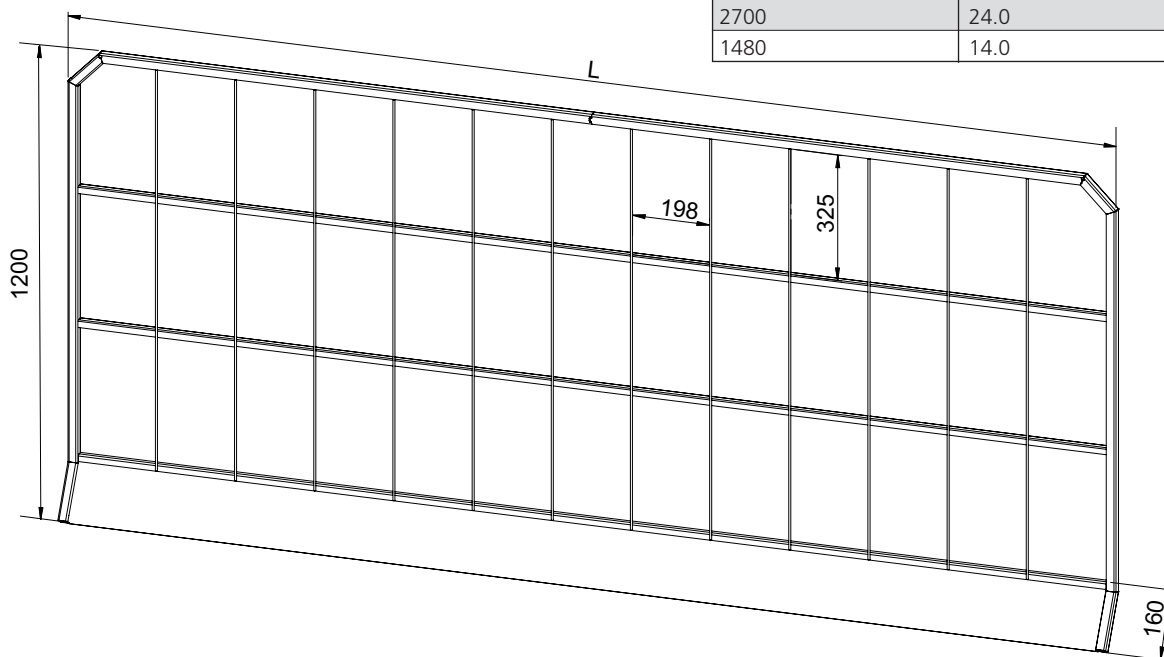
3

GENERAL INFORMATION

TECHNICAL DATA:

Mesh barrier

Length L [mm]	Weight [kg/Stck.]	Item No.
2700	24.0	331027
1480	14.0	331014



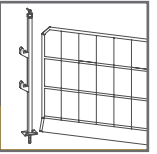
packing dimensions per rack: 25 units



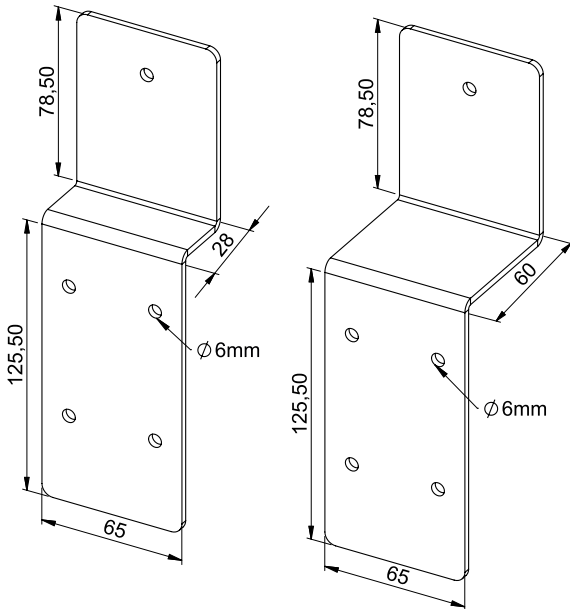
3

SAFETY BARRIER WITH MESH ELEMENTS

ACCESSORIES

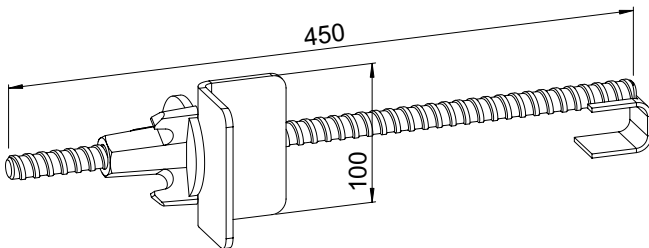


TECHNICAL DATA:



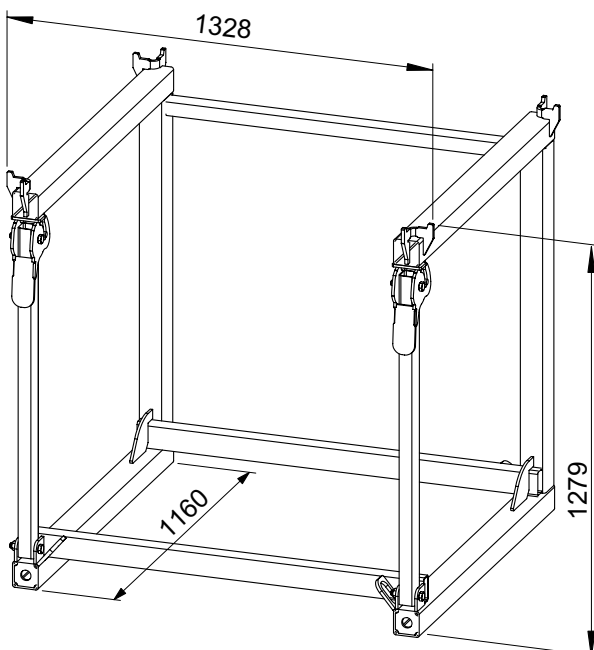
Wall fastener for doweling

Type	Weight [kg/unit]	Item No.
1	0.35	331031
2	0.40	331032



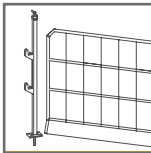
Clamping hook for mesh barrier

Weight [kg/unit]	Artikel-Nr.
2.0	331030



Rack for storing and transportation of mesh barrier

Weight [kg/unit]	Item No.
105.0	639905



SAFETY BARRIER WITH MESH ELEMENTS

3

THREADED RAILING POST AND ACCESSORIES



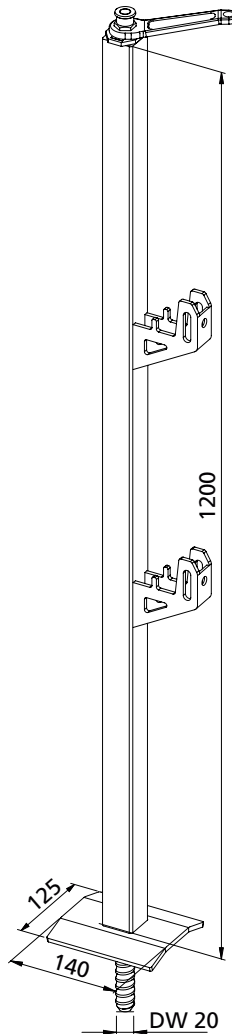
Threaded railing post

This railing post offers permanent safety due to the **large supporting plate** and pretension of the rail tube. Safe use on high buildings up to 200 m above the earth. The thread core is made of insensitive coarse thread. Installation and removal by simple turning the handle makes working easy and safe.



detail: core with rugged coarse thread, large supporting plate

TECHNICAL DATA:



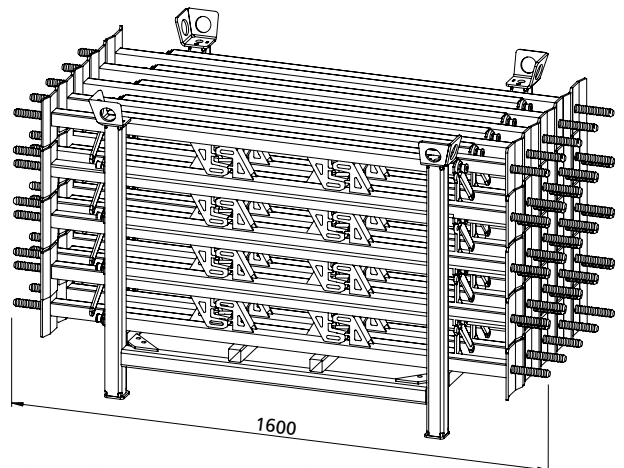
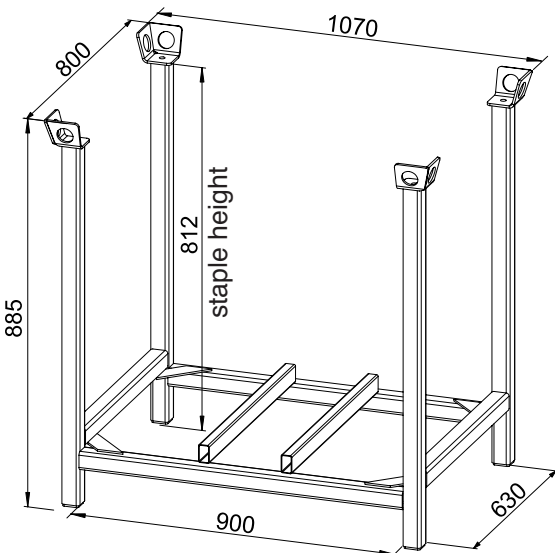
Threaded railing post to hang in mesh barrier

Weight [kg/unit]	Item No.
8.0	331012

Rack

for storing and transportation of railing posts, fitting for all types

Weight [kg/unit]	Item No.
48.0	639903



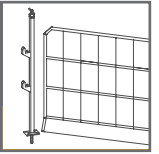
packing dimensions per rack: 64 units



3

SAFETY BARRIER WITH MESH ELEMENTS

THREADED RAILING POST AND ACCESSORIES



Vertical positioner

The **vertical positioner** is a threaded plate made of solid plastic that is easily fixed with wire-tie to the reinforcement. The mounting is easy and quick.

The threaded sleeve with marking plugs guarantees, that the anchoring point after concreting and smoothing the concrete surface is easy to discover again.

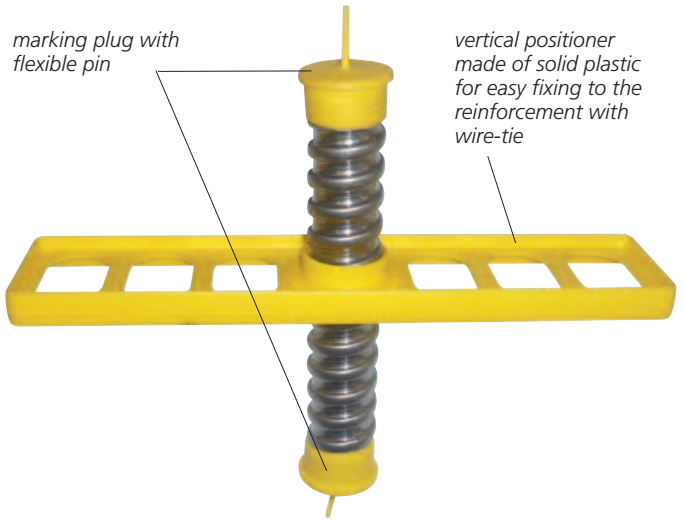
Special advantage:

With the vertical positioner a perfect vertical position of sleeve is guaranteed.

The sleeve can be screwed after mounting.

Therefore the upper edge of the plug is adjustable in height and can so be used as a levelmarker for the concrete.

Especially suitable for slabs with embedded heating and cooling channels, because hard and dangerous drilling is not necessary.



ATTENTION: consider anchoring at the stage of planning!



Subsequent fixing



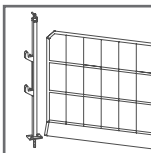
Impact dowel D&W 20 mm

Fixing after concreting also is possible with our **impact dowel Ø 20 mm** with fitting accessories.

The depth of the inner thread is adjusted to the core of the railing post.

For the mounting of dowel we offer the special accessories like hard metal drill, punching pins and drive-in-pin (without picture).



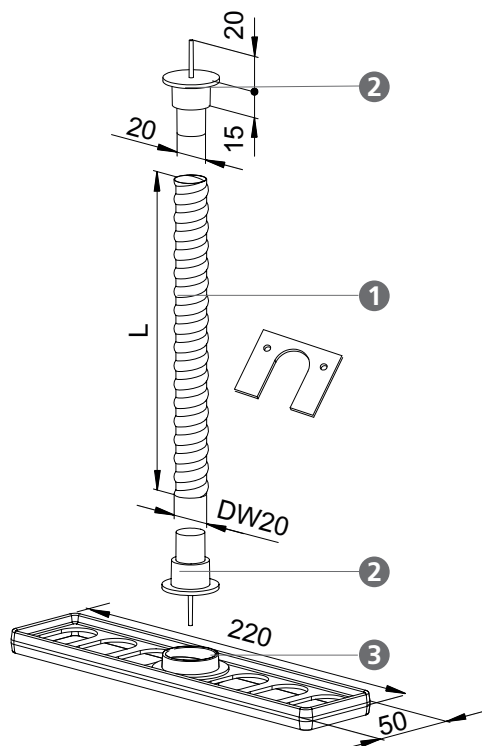


SAFETY BARRIER WITH MESH ELEMENTS

3

THREADED RAILING POST AND ACCESSORIES

TECHNICAL DATA:



Installation-kit Ø 20 mm

with 2 marking plugs and vertical positioner

Weight [kg/100 units]	Item No. S 235 JR	Item No. V2 A
5,10	102512	102562

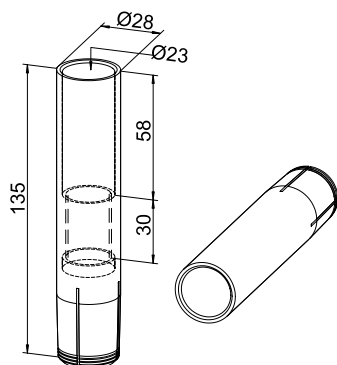
Installation-kit consisting of:

- ① threaded sleeve (item no. 1020..* – V2 A: item no. 1021..*)
- ② 2 marking plugs (item no. 102098)
- ③ vertical positioner (item no. 102088)

*the last two numbers indicate the length of threaded sleeve.

All parts of the installation-kit are also available separately.

Fixing parts after concreting



Impact dowel D&W 20

Weight [kg/100 units]	Item No.
31.0	122020

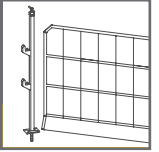
This impact dowel may only be used to fasten the railing post.



3

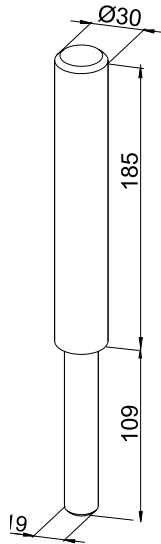
SAFETY BARRIER WITH MESH ELEMENTS

THREADED RAILING POST AND ACCESSORIES



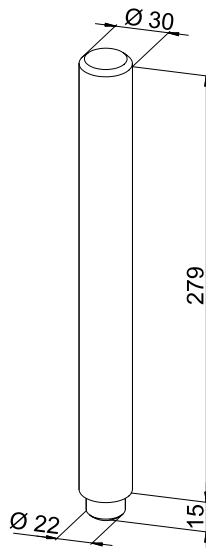
TECHNICAL DATA:

Fixing parts after concreting



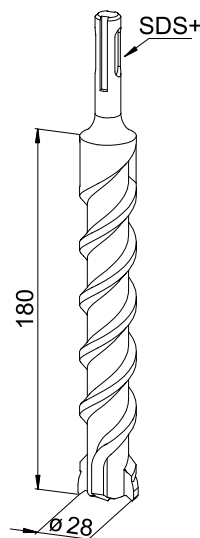
Punching pin

Weight [kg/unit]	Item No.
1.53	122021



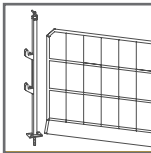
Drive-in-pin

Weight [kg/unit]	Item No.
1.59	122023



Hard metal drill

Weight [kg/unit]	Item No.
0.53	122022



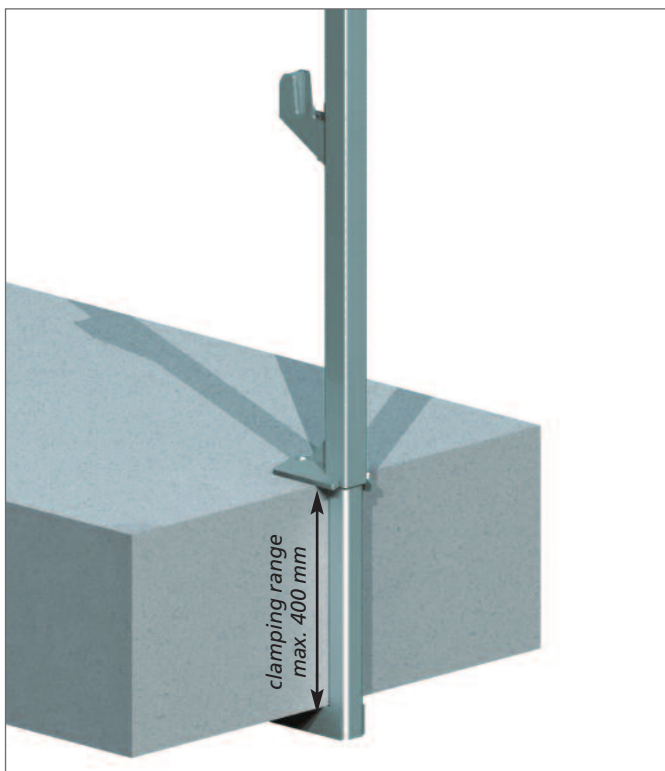
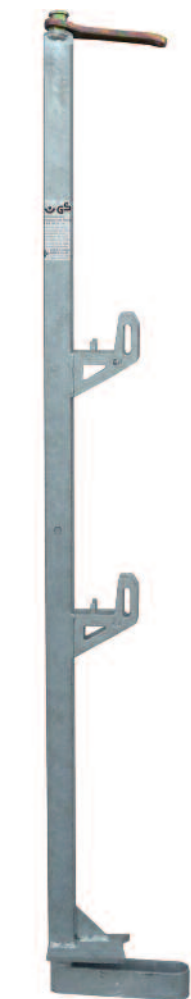
SAFETY BARRIER WITH MESH ELEMENTS

3

RAILING CLAMP

Railing clamp

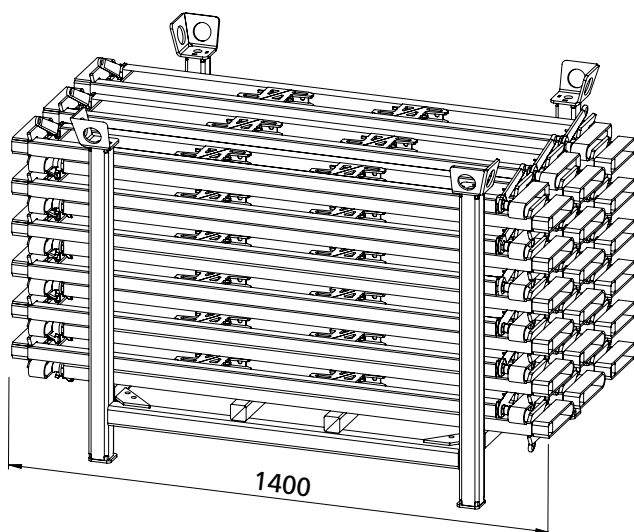
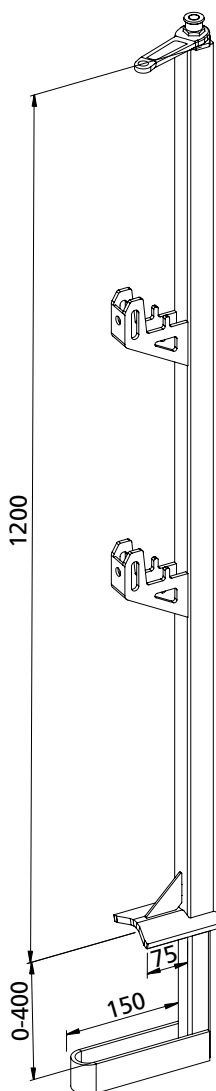
The **railing clamp** is easily fixed to the edge of the concrete slabs and has a clamping range to 40 cm. Installation and removal by simple turning the handle makes working easy and safe.



TECHNICAL DATA:

Railing clamp to hang in mesh barrier

Weight [kg/unit]	Item No.
10.1	331240



Packing dimensions per rack: 60 units

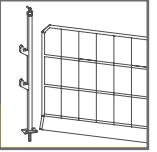
Rack for storing and transport see page 7.



3

SAFETY BARRIER WITH MESH ELEMENTS

FILI RAILING POST

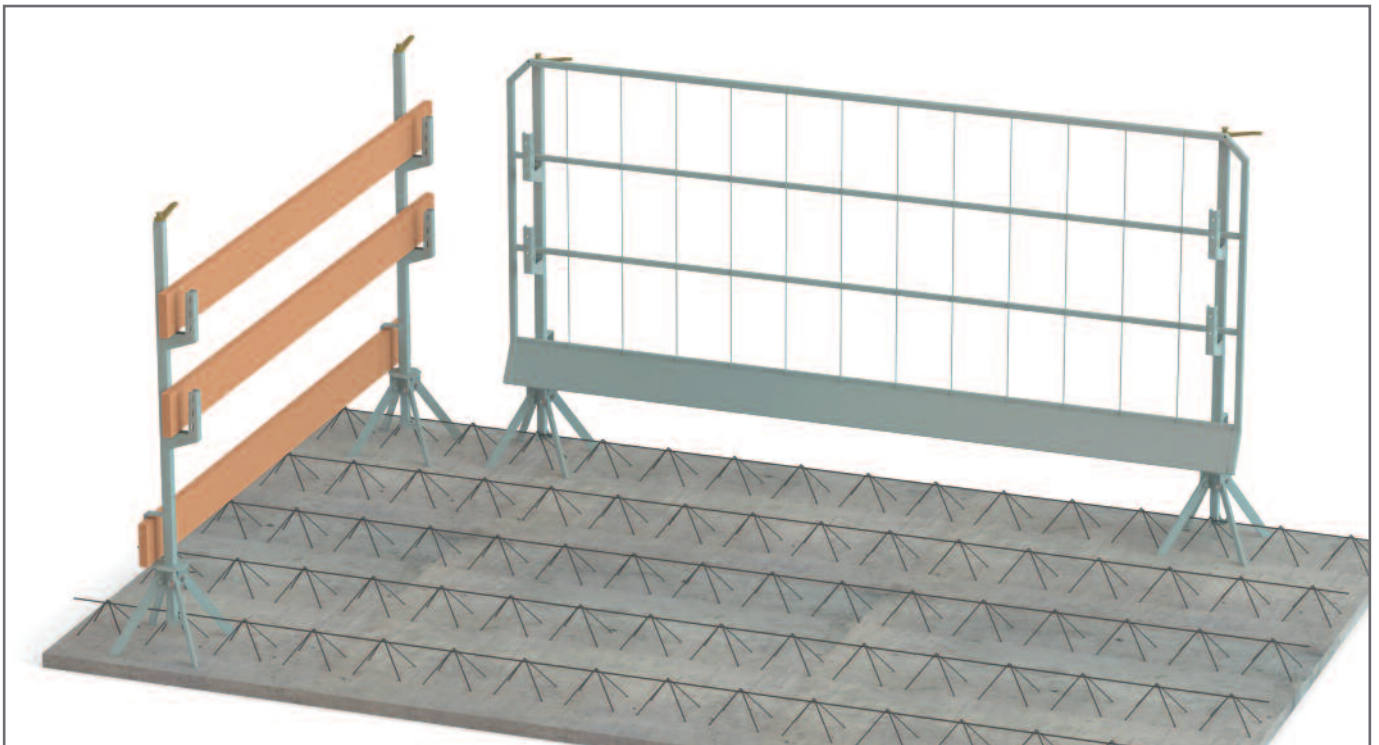


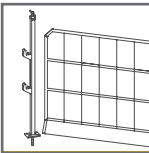
FILI railing post

- Especially developed for filigree slabs
- Easy and safe prestressing of the hook by turning the rank on top of the post
- Usable for timber boards and mesh barrier elements
- Quick moving to the next position when placing one filigree slab after the other.
- 4 pliable braces inwards for a space saving and easy transportation

This railing post has been developed especially for fixing at the mesh girders of the filigree slabs. The inner tube will be moved up or down by turning the crank on top. It has two hooks at the bottom, for fixing the post just place one hook in the crosspoint of two lattice girders and top horizontal bar and then spindle the inner tube upwards. The fixing position of the post can be adapted universally to the space available due to the two hooks. Base feet can be folded for a space saving storing and transportation.

The 4 hooks allow a fixing of the post anywhere according to the space available. For a space saving and easy transportation just fold the 4 pliable braces inwards.



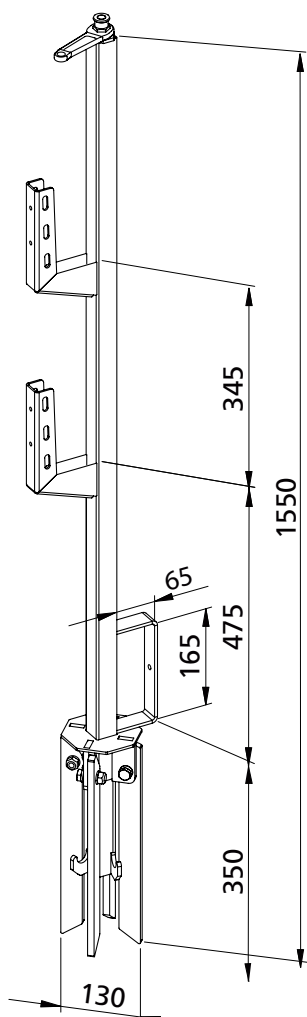
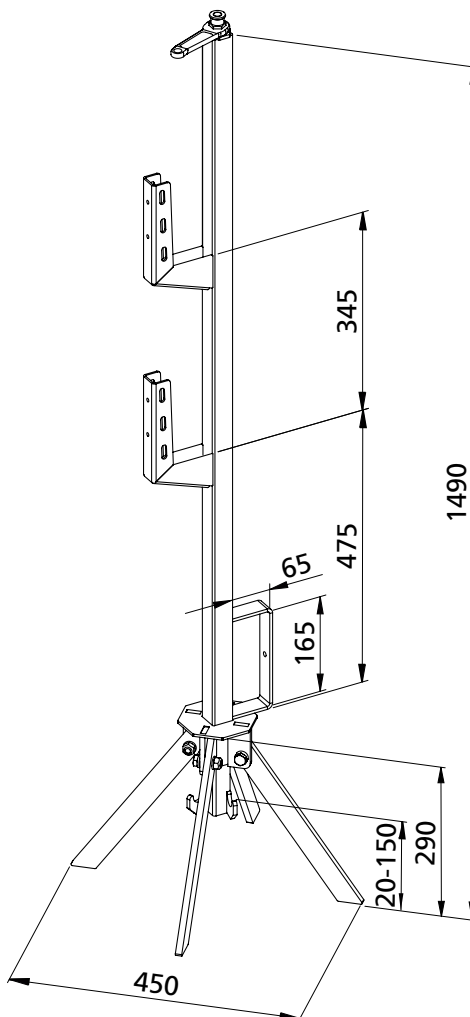


SAFETY BARRIER WITH MESH ELEMENTS

3

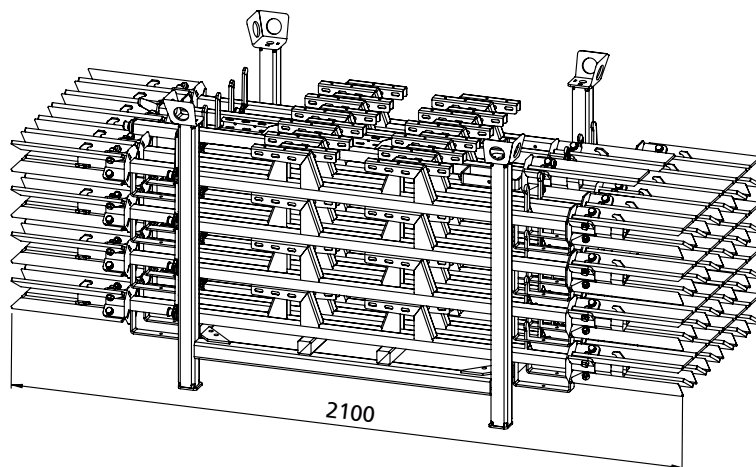
FILI RAILING POST

TECHNISCHE DATEN:



FILI railing post

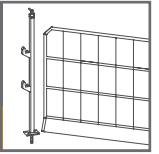
Weight [kg/unit]	Item No.
10.75	331300



Packing dimensions per rack: 40 units

Rack for storing and transportation see page 7.



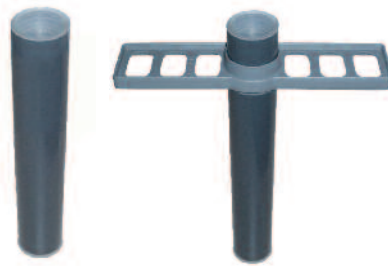


Inserted railing post

The **inserted railing post** is used in conjunction with the plastic installation-kit. An extensive range of accessories is also available.

Installation-kits

During the concrete pour the **plastic installation-kit** with 2 plugs is put in the required place ready to accept the inserted railing post when the concrete has hardened.



The plastic installation kit with **vertical positioner** is fixed with wire-tie to the reinforcement and guarantees an exact vertical position for the railing post.

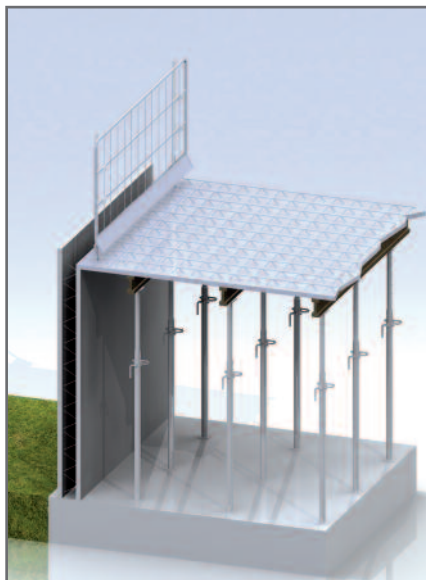
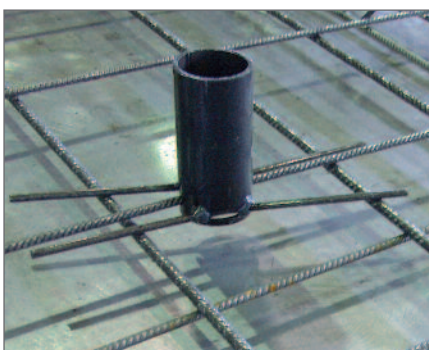
Accessory: clamping-fix

The clamping fix is placed in concrete already during the production of the filigree slabs. A correct vertical alignment will result by an easy clamping to the reinforcement. Already when laying the filigree slab an edge protection can be installed. The according height of the clamping fix will be fixed by the thickness of the slab or by the height of the mesh girders.

Optimized continuing security during all phases of construction:

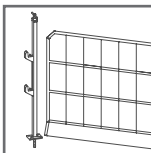
On site a plastic tube will be added to the clamping fix and the railing post will

be inserted easily. That guarantees security from the beginning – already when laying the upper reinforcement layer. Even during the installation of the outer walls the edge protection can remain mounted.



Technical Data see page 17



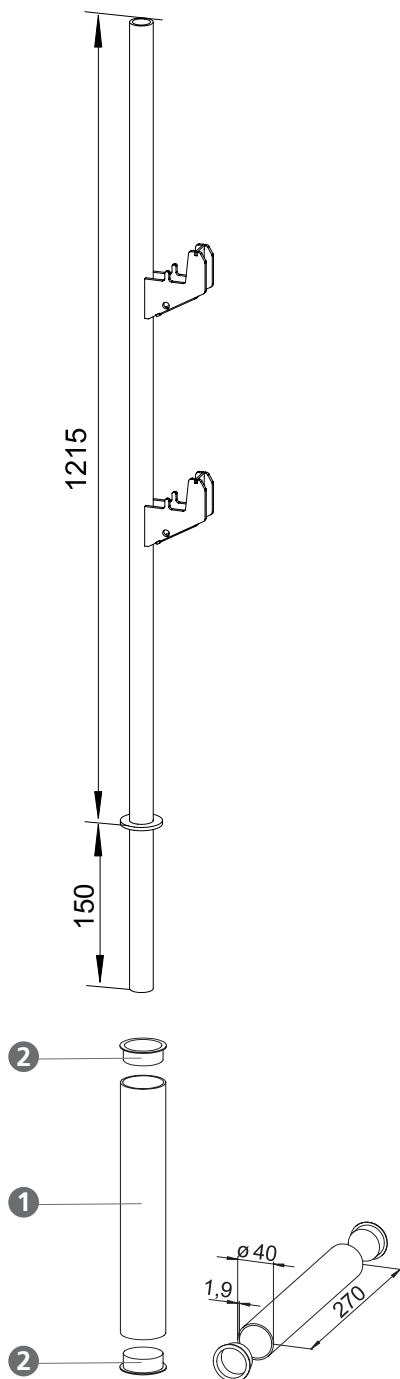


SAFETY BARRIER WITH MESH ELEMENTS

3

INSERTED RAILING POST AND ACCESSORIES

TECHNICAL DATA:



Installation-kit
for inserted railing post

Weight [kg/100 units]	Item No.
9.8	330299

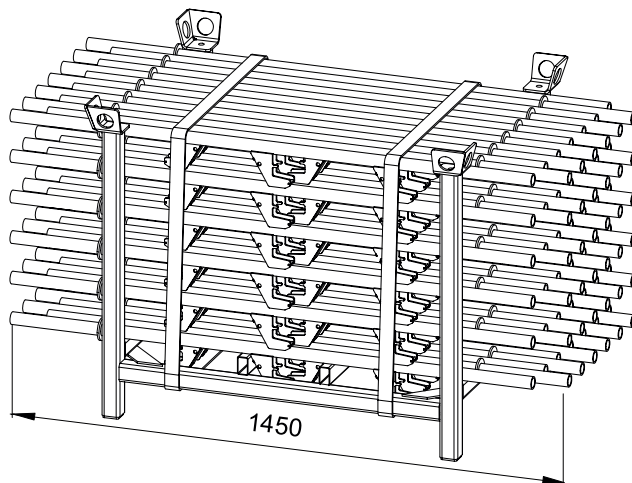
Installation-kit consisting of

- ① plastic tube (item no. 250401)
- ② plastic plug (item no. 250410)

All parts of the installation-kit are also available separately.

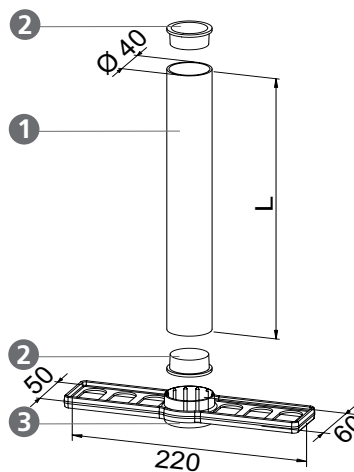
Inserted railing post
to hang in mesh barrier

Weight [kg/unit]	Item No.
5.5	331125



Packing dimensions per rack: 78 units

Rack for storing and transport see page 7.



Installation-kit with vertical positioner
for inserted railing post

Weight [kg/100 units]	Length L [mm]	Item No.
12.0	170	330296

Installation-kit consisting of

- ① plastic tube (item no. 250401 – or rather L=170 mm: 250402)
- ② plastic plug (item no. 250410)
- ③ vertical positioner (item no. 250403)

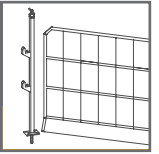
All parts of the installation-kit are also available separately.



3

SAFETY BARRIER WITH MESH ELEMENTS

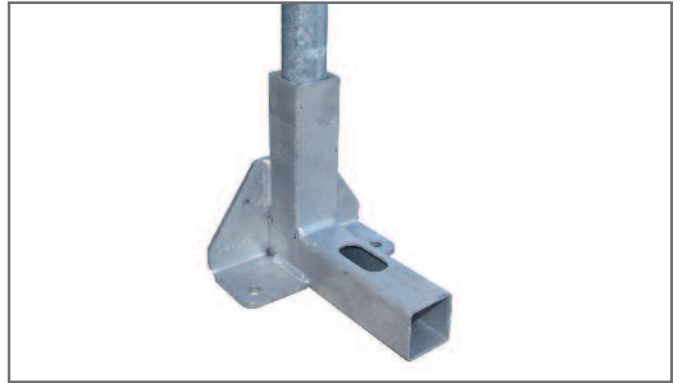
INSERTED RAILING POST AND ACCESSORIES



Accessory: foot socket

The foot socket can be screwed onto already existing base plates, prefab elements or edge settings. It accomplishes our ROBUSTA-railing-post system and allows the subsequent securing of danger areas in new constructions or reorganizations.

Elevator shafts, slab edges, gap between two flight of stairs and balconies with railing posts, also ROBUSTA mesh barriers, can be secured quickly without problem.



Accessory: adapter for sheet pilings

The well thought-out technical construction of the adapter for sheet pilings guarantees for a quick mounting and the exclusion of missing parts.

An adjustment clamping range of 5 mm to 25 mm can be reached because of the skillful arrangement of the eccentric lever.

The adapter is usable with all usual sheet pilings. The eccentric lever with adjustable spindle achieves a high clamping pressure, this prevents a turning to the side.

Galvanizing and an internal spindle with a robust trapezoidal thread guarantee a long durability.

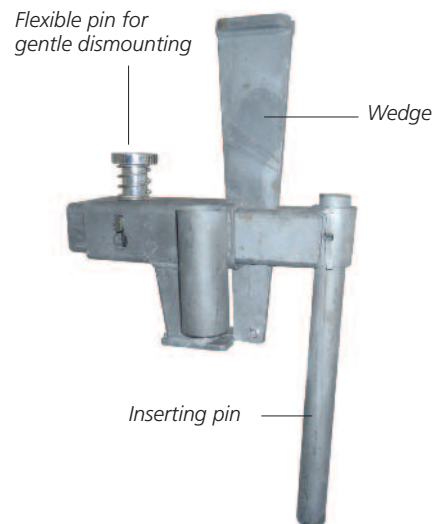


Accessory: clamp for twin walls

A simple solution for a quick mounting of the edge protection at twin walls during armoring works and concreting of slabs. Also for the clamp for twin walls the plastic installation kit has to be used.

The big advantage:

During the concreting of the slab the clamp for twin walls guarantees a safe protection with the inserted railing post. After hardening of the concrete the clamp for twin walls can be dismantled immediately and be used again for the next stage.



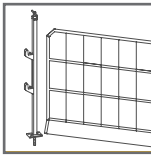
So the plastic installation kit remains inside the concrete and is free available at the surface of the slab.

The railing post will be inserted again into the plastic installation kit and the open edge remains secured without interruption.

Because there are no cantilever parts, sealing and earthworks can be done without problems. With the flexible pin the clamp for twin walls can be adjusted for 6 and 8 cm thick cases and be removed quickly.

Time intensive lining and an overhanging dismantling of the clamp for twin walls in a danger area is not necessary any more. If the pin is set in the concrete, it can be dismantled easily by loosening the wedge.



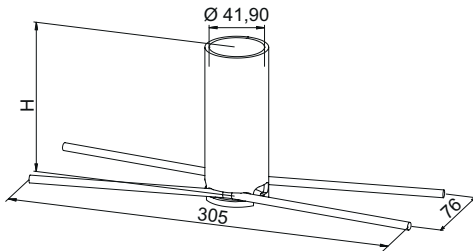


SAFETY BARRIER WITH MESH ELEMENTS

3

INSERTED RAILING POST AND ACCESSORIES

TECHNICAL DATA:

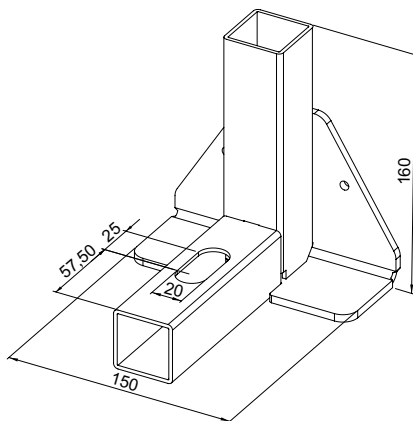


Clamping fix

for inserted railing post, flexible height

Weight [kg/unit]	Item No.
depending on height	330297

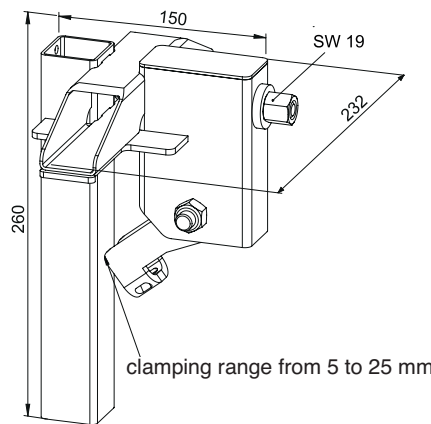
Please advise needed height when placing your order



Foot socket

for inserted railing post

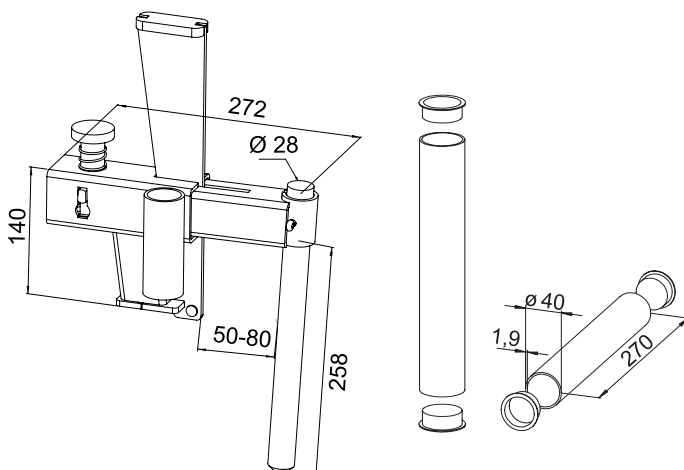
Weight [kg/unit]	Item No.
1.45	320250



Adapter for sheet pilings

for inserted railing post

Weight [kg/unit]	Item No.
3.00	320260



Clamp for twin walls

Weight [kg/unit]	Item No.
6.50	3208003

Installation-kit

for inserting pin of clamp for twin walls

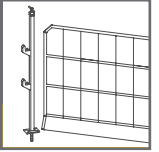
Weight [kg/100 units]	Item No.
9.8	330299



3

SAFETY BARRIER WITH MESH ELEMENTS

INSERTED RAILING POST AND ACCESSORIES



Accessory: slab stop end bar

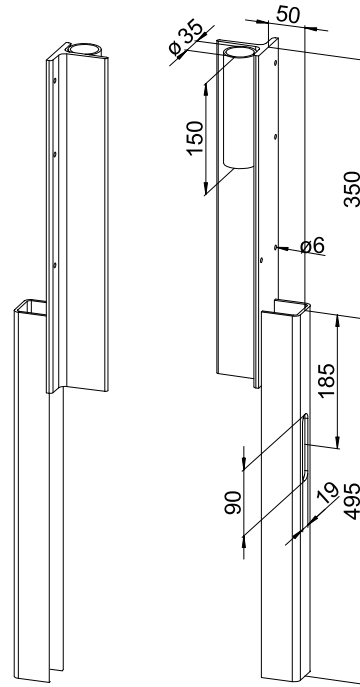
The slab stop end bar is used as **holding of the side formwork** as well as **security fences**.

The cutting and boring of square timbers with distance boards is not necessary any more.

Due to 5 cm holding-rail offset, a **correct placement of the shuttering board is automatically guaranteed**. It is just placed and secured with nails through the borings from the back.

By means of the inserted railing holder, it takes no much effort and only a **short time** to mount a security fence.

TECHNICAL DATA:



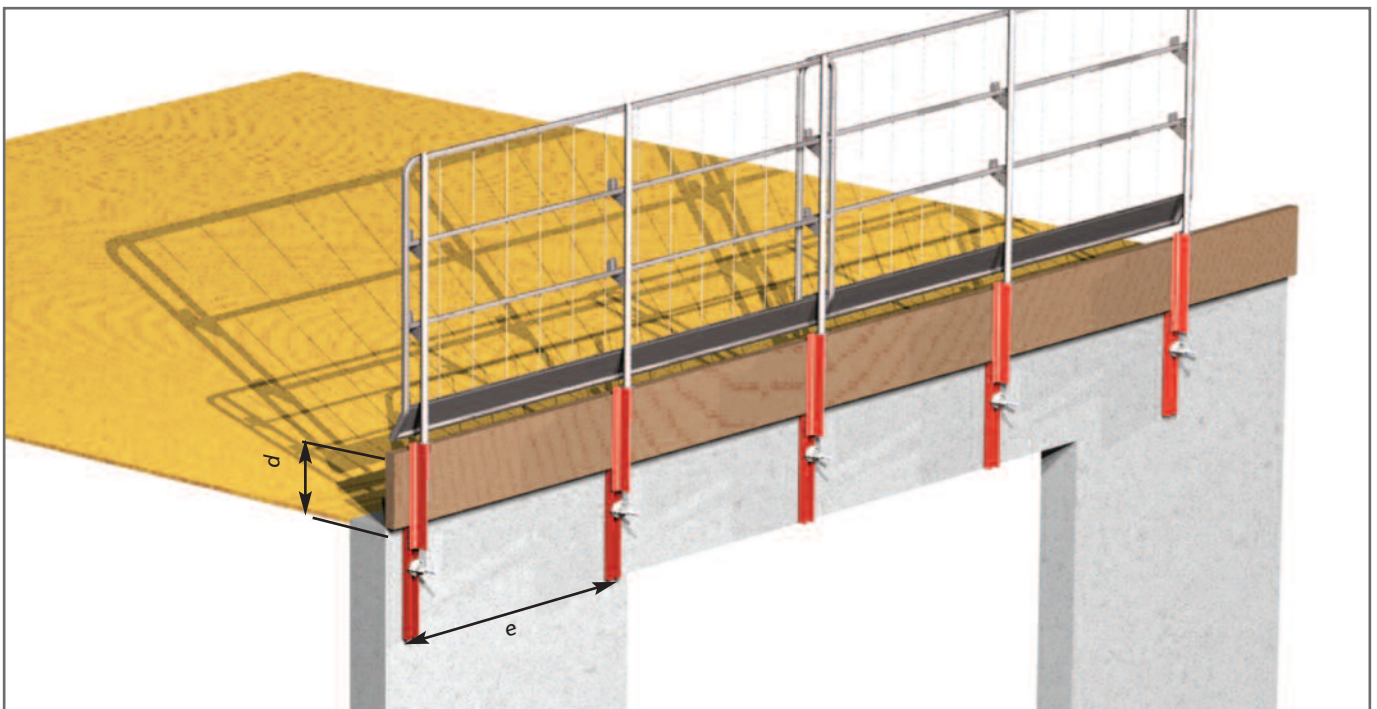
Slab thickness "d" in cm	Distance "e" in m
16	2.00
18	2.00
20	1.75
22	1.50
24	1.32
26	1.16
28	1.04
30	0.94
34	0.78
36	0.73
38	0.62
40	0.53

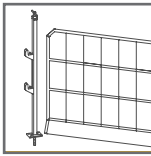
max. anchor tensile force = 5 kN

Slab stop end bar

Weight [kg/unit]	Item No.
4.70	520201

fixing parts see on pages 22 and 23





SAFETY BARRIER WITH MESH ELEMENTS

3

INSERTED RAILING POST AND ACCESSORIES

Accessory: slab stop end console

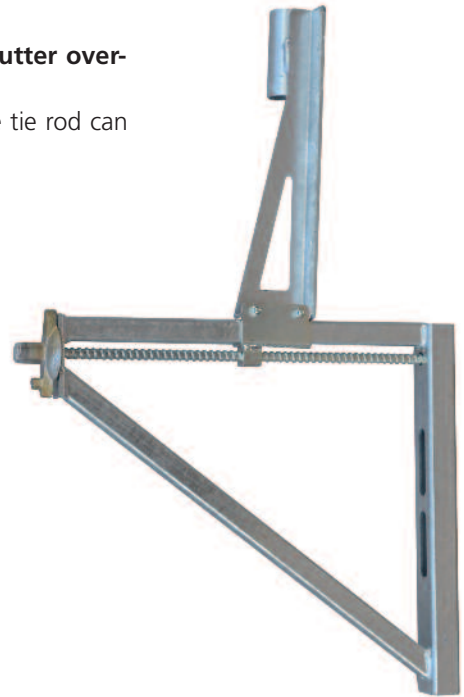
It offers all advantages of the slab stop end bar and additionally allows to **shutter over-hanging slab edges** with a cantilever up to 40 cm.

Fixing holes position is adapted to 25 cm brickwork dimension, therefore the tie rod can always be laid through the horizontal joint.

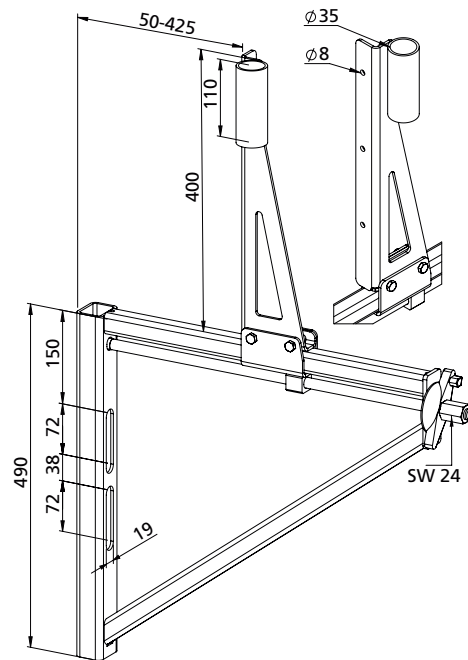
Slab thickness "d" in cm	Cantilever "A" in cm			
	10	20	30	40
16	2.00	2.00	2.00	2.00
18	2.00	2.00	2.00	2.00
20	2.00	2.00	2.00	2.00
22	2.00	2.00	2.00	1.90
24	2.00	2.00	2.00	1.80
26	2.00	2.00	1.90	1.60
28	2.00	1.80	1.70	1.45
30	1.80	1.60	1.50	1.30
32	1.60	1.40	1.35	1.20
34	1.40	1.20	1.20	1.10

mounting distances "e" of consoles in m

max. anchor tensile force = 6.5 kN



TECHNICAL DATA:



Slab stop end console

Weight [kg/unit]	Item No.
7.30	520101

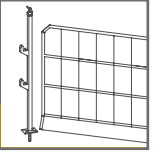
Fixing parts see on pages 22 and 23



3

SAFETY BARRIER WITH MESH ELEMENTS

INSERTED RAILING POST AND ACCESSORIES

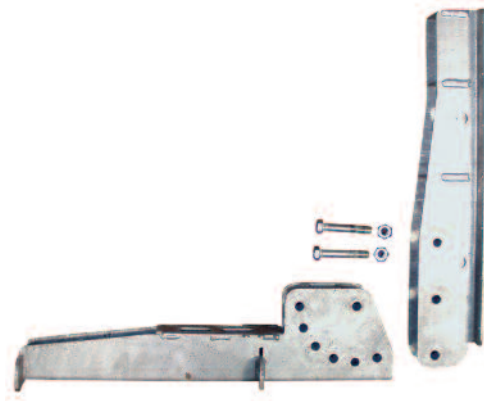


Accessory: Vario slab stop end bar

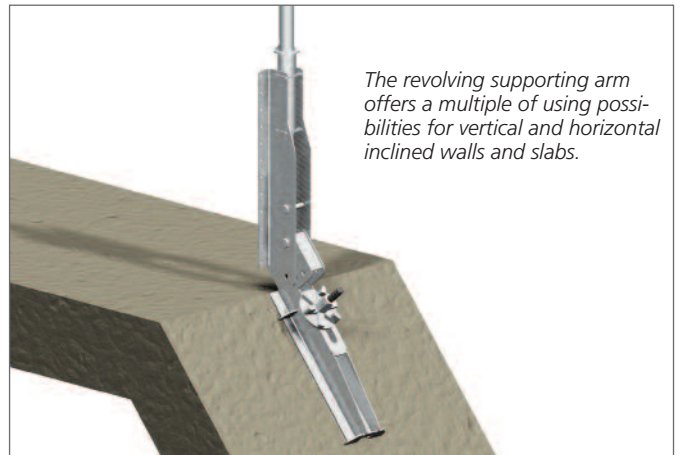
The Vario is especially ideal for use in **security fences** and **stopend formwork for lattice girder floors**. It consists of a **clamping part** with a **revolving supporting arm** with the possibility to fix the inserted railing post.

The angle of inclination can be selected by 22.5° steps.

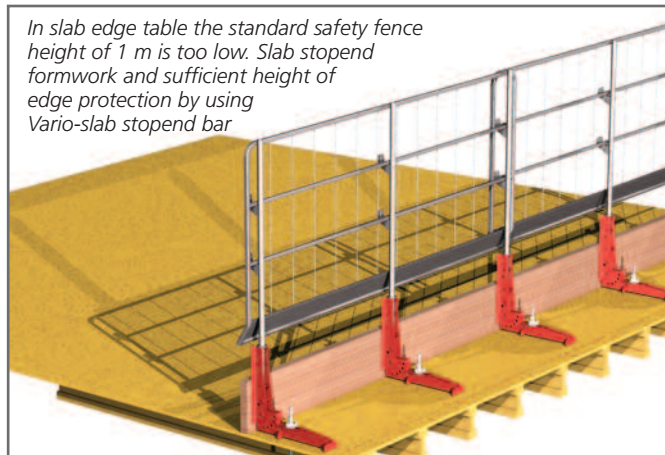
The clamping part is fixed to a concreted sleeve on the lower side of the slab plate. Even if no planned anchor is available, you have the option of subsequent anchoring through the plate.



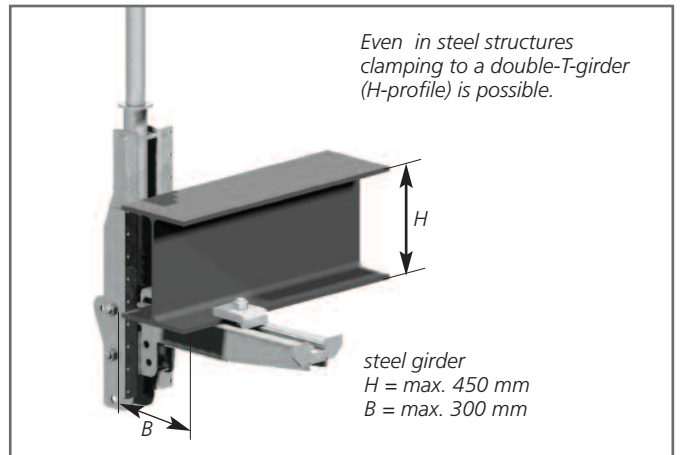
Mainly use: edge protection and slab stopend formwork for filigree slabs



The revolving supporting arm offers a multiple of using possibilities for vertical and horizontal inclined walls and slabs.



In slab edge table the standard safety fence height of 1 m is too low. Slab stopend formwork and sufficient height of edge protection by using Vario-slab stopend bar

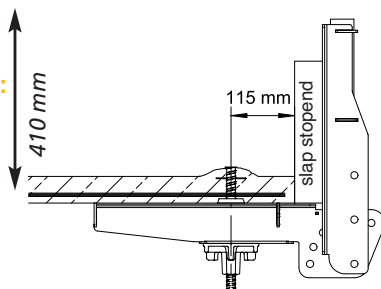


Even in steel structures clamping to a double-T-girder (H-profile) is possible.

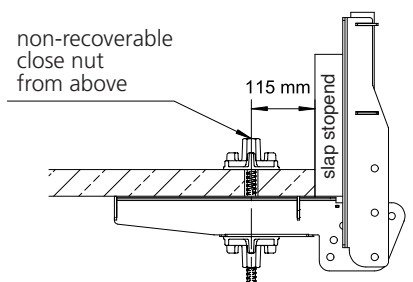
steel girder
 $H = \text{max. } 450 \text{ mm}$
 $B = \text{max. } 300 \text{ mm}$

Fixing:

- a) **threaded sleeves embedded in concrete:**
 2 additional rods $\varnothing 10 \text{ mm}$ $L=50 \text{ cm}$ with 2 cm distance both on the left and right near the sleeve

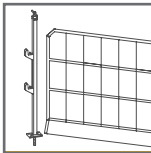


- b) **subsequently bored through-hole**



non-recoverable close nut from above



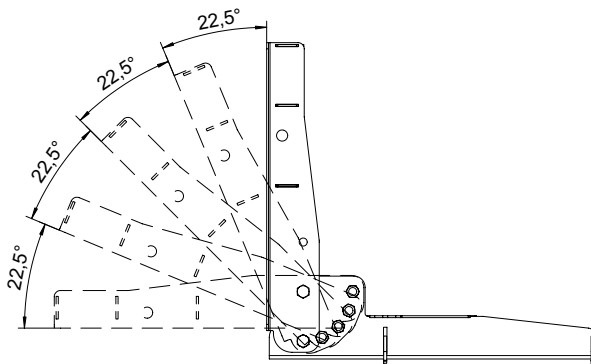
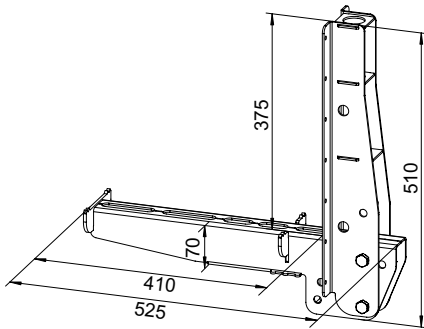


SAFETY BARRIER WITH MESH ELEMENTS

3

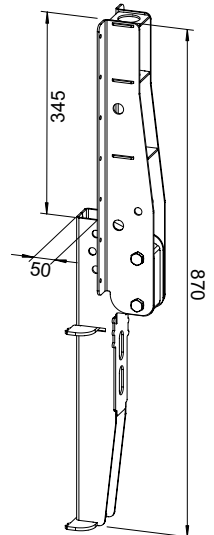
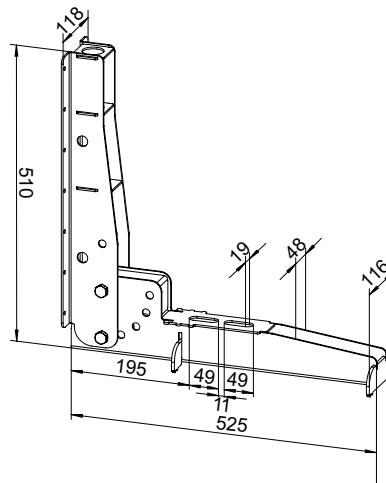
INSERTED RAILING POST AND ACCESSORIES

TECHNICAL DATA:



Vario slab stopend bar

Weight [kg/unit]	Item No.
8.0	520301



Installation-kit DN 15 x 55

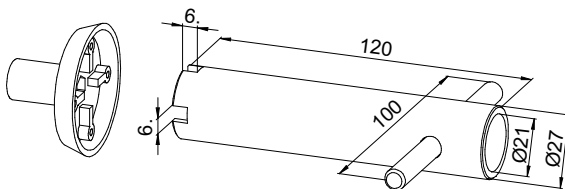
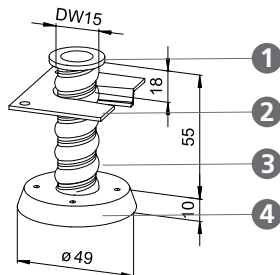
Weight [kg/100 units]	Item No.
3.5	101005

Installation-kit consisting of

- ① plastic cap yellow (item no. 101593)
- ② threaded plate (item no. 101591)
- ③ threaded sleeve (item no. 1015..* – V2 A: item no. 1016..*)
- ④ nailing flange with threaded cone (item no. 145016)

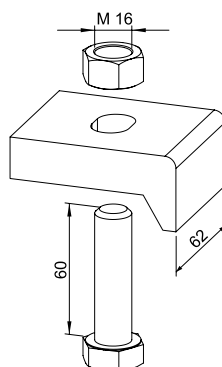
*die letzten beiden Ziffern stehen für die Länge der Hülse in cm.

All parts of the installation-kit are also available separately.



Removing tool for nailing flange

Weight [kg/100 units]	Item No.
23.0	145099



Counter plate with bolt and nut (for fixing at steel girders two sets are necessary)

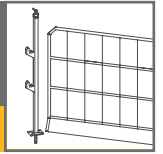
Weight [kg/set]	Item No.
0.81	443012



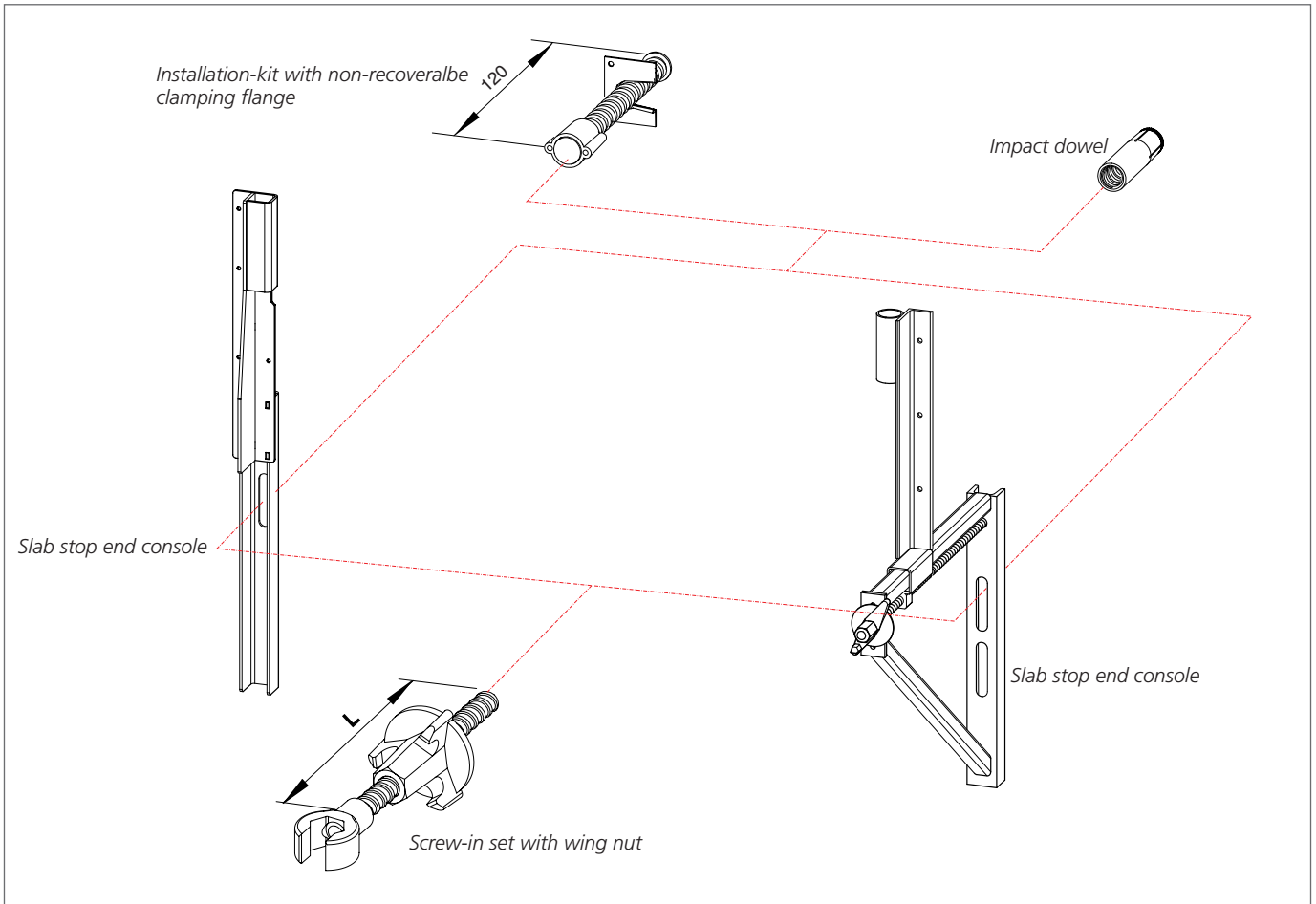
3

SAFETY BARRIER WITH MESH ELEMENTS

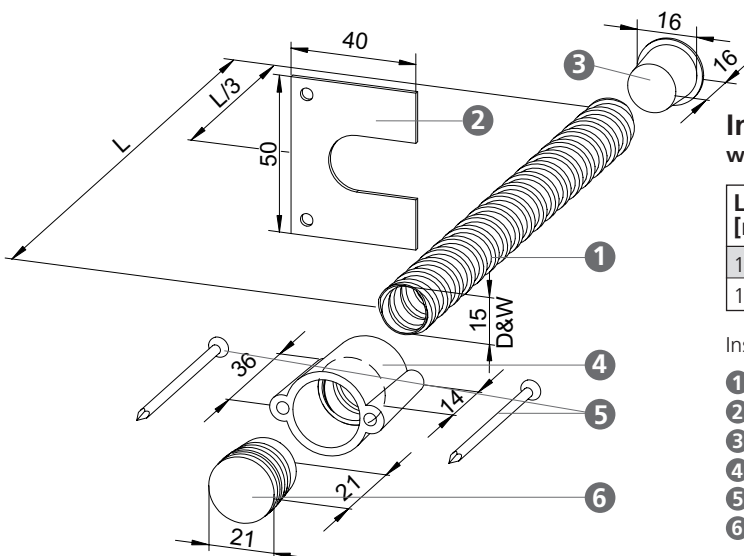
INSERTED RAILING POST AND ACCESSORIES



Overview of fixing accessories before and after concreting



Fixing parts before concreting



Installation-kit D&W 15 mm with non-recoverable clamping flange

Länge [mm]	Weight [kg/100 units]	Item No. S 235 JR	Item No. V2 A
120	4.00	101012	101062
170	4.50	101017	101067

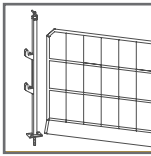
Installation-kit consisting of

- ① threaded sleeve (item no. 1015..* – V2 A: item no. 1016..*)
- ② threaded plate (item no. 101591)
- ③ plastic plug (item no. 101593)
- ④ clamping flange (non-recoverable) (item no. 101592)
- ⑤ nails stainless steel (item no. 109940)
- ⑥ plug for clamping flange (Artikel-Nr. 101597)

*the last two numbers indicate the length of threaded sleeve.

All parts of the installation-kit are also available separately.





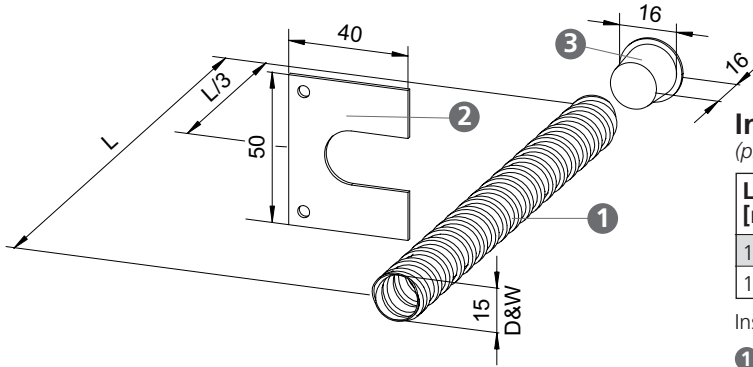
SAFETY BARRIER WITH MESH ELEMENTS

3

INSERTED RAILING POST AND ACCESSORIES

Fixing parts before concreting

For high-exposed concrete: with recoverable clamping flange and fine grained concrete cones



Installation-kit D&W 15 mm

(please order clamping flange separately)

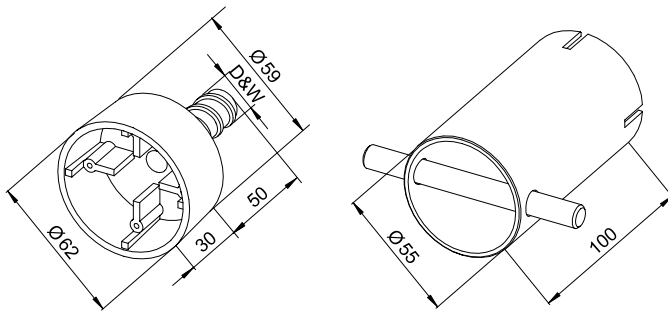
Length [mm]	Weight [kg/100 units]	Item No. S 235 JR	Item No. V2 A
120	3.29	101112	101162
170	3.79	101117	101167

Installatin-kit consisting of

- ① threaded sleeve (item no. 1015..* – V2 A: item no. 1016..*)
- ② threaded plate (item no. 101591)
- ③ plastic cap yellow (item no. 101593)

*the last two numbers indicate the length of threaded sleeve.

All parts of the installation-kit are also available separately.

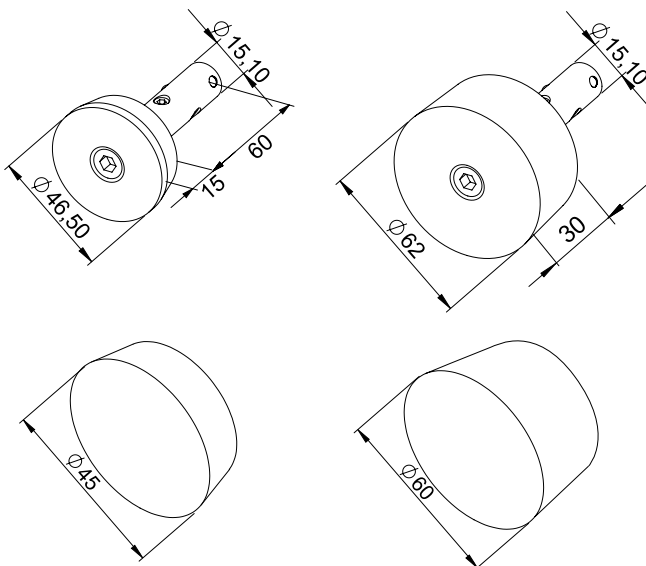


Clamping flange D&W 15 mm for wooden shuttering, recoverable

Weight [kg/100 units]	Item No.
2.70	101595

Removing tool, galvanized fitting for all recoverable clamping flanges

Weight [kg/unit]	Item No.
0.32	109933



Magnetic clamping flange D&W 15 mm

for steel shuttering, mit Neodymium high-efficiency magnet
adhesion approx. 80 kg

for concrete cover [mm]	Weight [kg/100 units]	Item No.
15 mm	26.0	101586
30 mm	74.0	101587

Fine grained concrete cone

for all recoverable clamping flanges and magnets

for concrete cover [mm]	Weight [kg/100 units]	Item No.
15 mm	4,20	109950
30 mm	14,00	109930

2-component glue

to glue in fine grained concrete cones (for approx. 40 units)

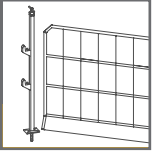
Weight [kg/units]	Item No.
2 x 0.5	109931



3

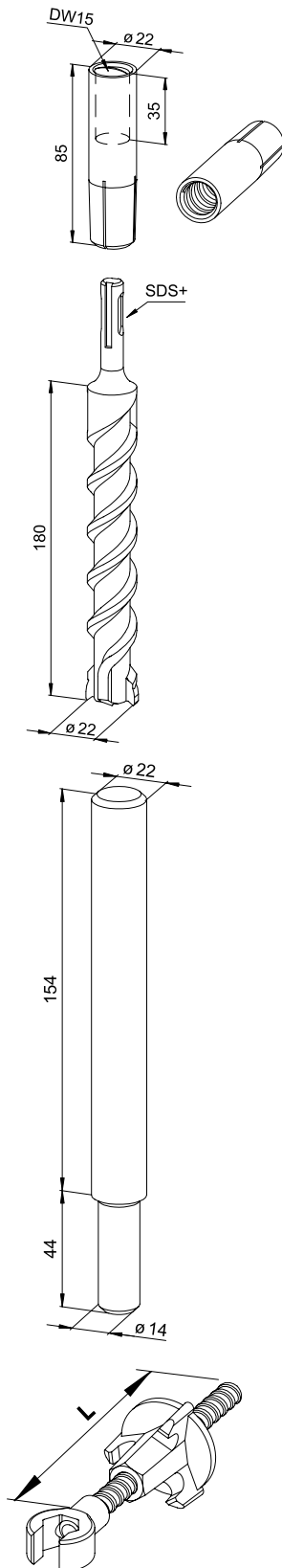
SAFETY BARRIER WITH MESH ELEMENTS

INSERTED RAILING POST AND ACCESSORIES



Fixing parts after concreting

TECHNICAL DATA:



Impact dowel D&W 15

Weight [kg/100 units]	Item No.
16.5	121515

Hard metal drill

Gewicht [kg/unit]	Item No.
0.40	121517

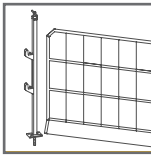
Punching pin

Weight [kg/unit]	Item No.
0.45	121516

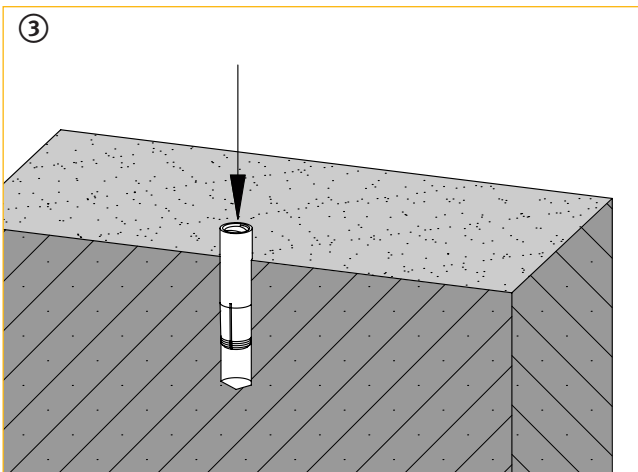
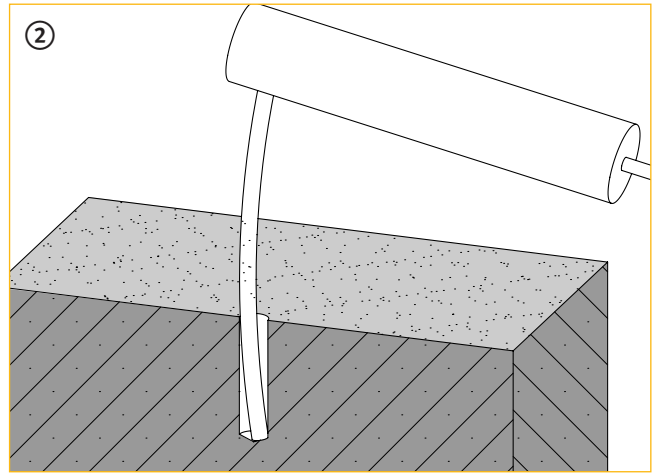
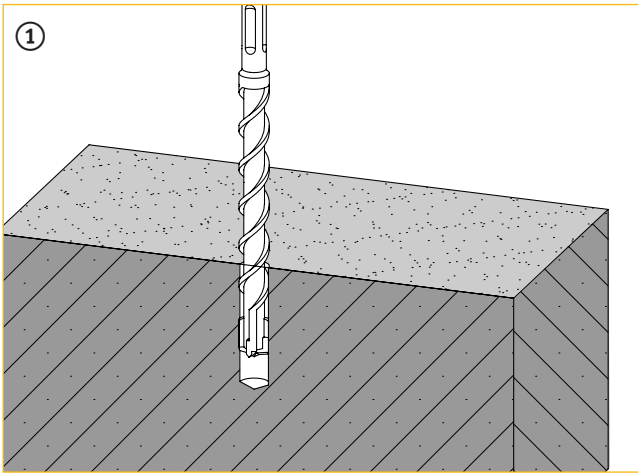
Screw-in set D&W 15 mm, with wing nut

Length* [mm]	Weight [kg/unit]	Item No.
180	0,81	111918
300	0,98	111930

*other lengths available on request



Setting of impact dowel:



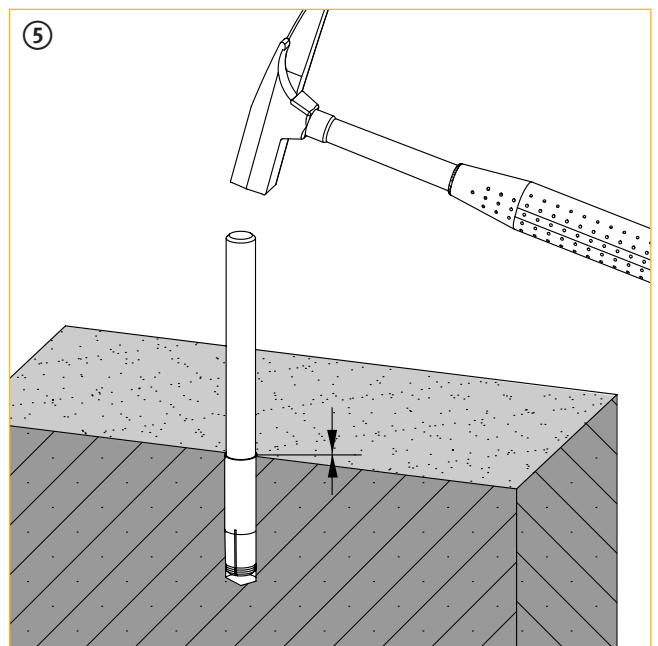
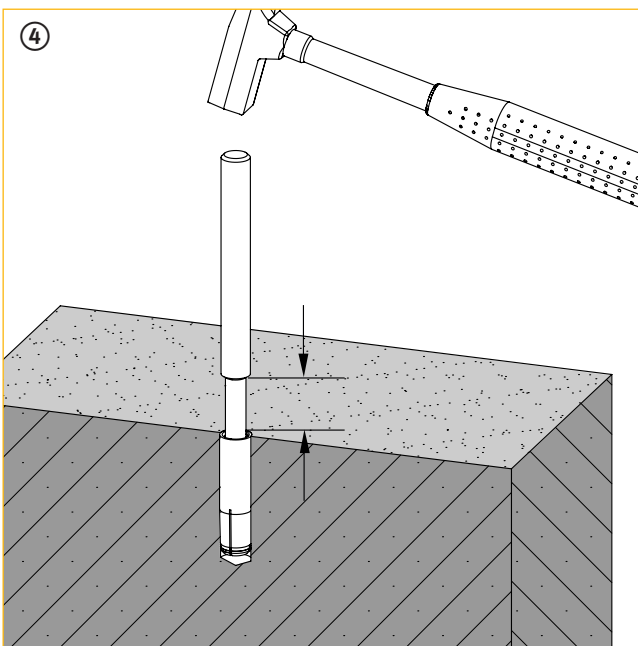
① drilling a hole with diameter 22 mm, depth 95 mm incl. drill point

② blow out hole and remove boring dust

③ insert dowel flush to the concrete edge

④ spread the dowel by strokes on to the punching pin inside the drilling hole

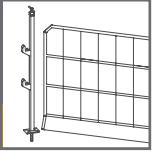
⑤ strike the punching pin completely to the bottom, subsequent screw in the anchor bar



3

SAFETY BARRIER WITH MESH ELEMENTS

INSERTED RAILING POST AND ACCESSORIES



Accessory: girder clamp

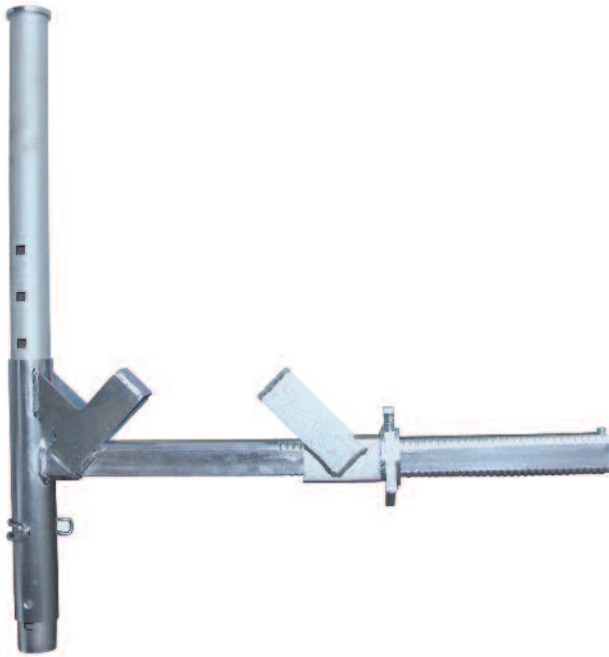
This girder clamp has been developed for more safety at steel constructions.

There one is confronted with limiting conditions: instead of outer walls there are only steel girders available to which one can mount the usual slab-stopend elements. The installation of safe slab stopends or edge protections at steel girders with concrete slab topping is very easy with our new solutions.

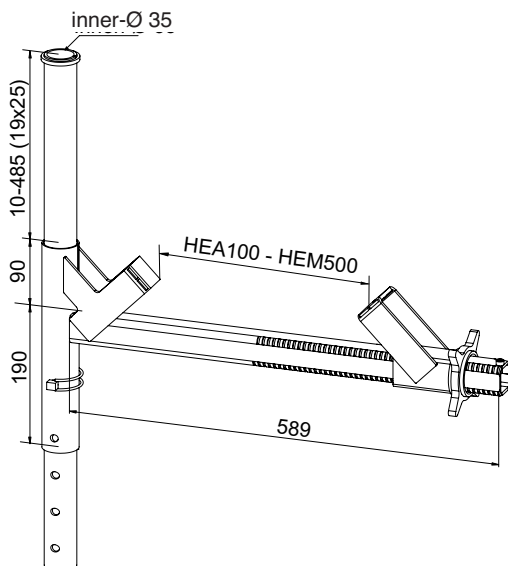
The girder clamp in connection with our inserted railing post is adjustable in height, thus the height of the edge protection can be adjusted to different girder heights.

The installation is very easy and can be done without any accessories or additional borings at the girders.

On the photographs below you can see the girder clamp in use with our edge protection with mesh barriers.

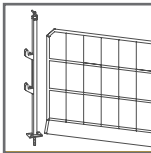


TECHNICAL DATA:



Girder clamp

Weight [kg/unit]	Item No.
7.20	330291



SAFETY BARRIER WITH MESH ELEMENTS

3

STECK-GELÄNDERHALTER UND ZUBEHÖR

Accessory: FS-clamp

This accessory is the perfect edge protection at wall formwork towards the second side and matches with all frame formworks with a profile of 123 x 600 mm.

The FA-clamp will just be inserted and secures itself automatically by sliding outwards.

This will guarantee a safe mounting and demounting.

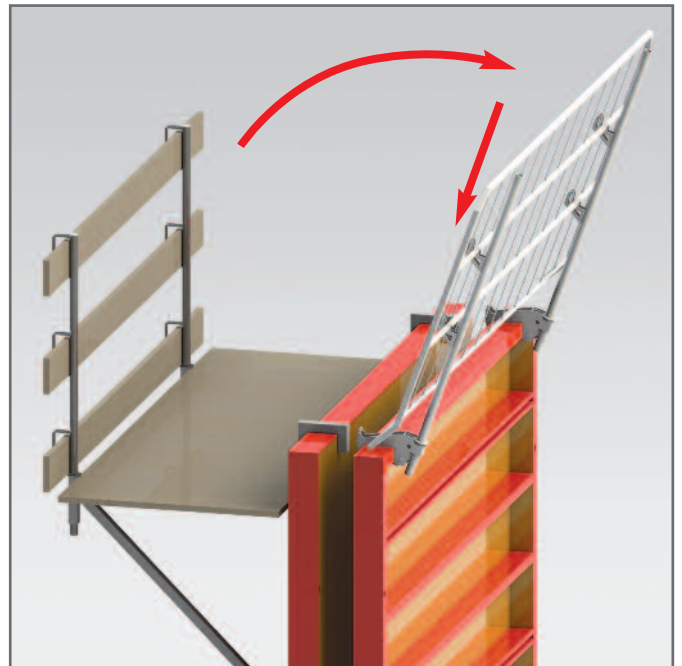
Additionally there is a possibility to place an extra board as a concrete chute to avoid costly cleaning.

ATTENTION:

On demand we also produce this clamp for other profiles.

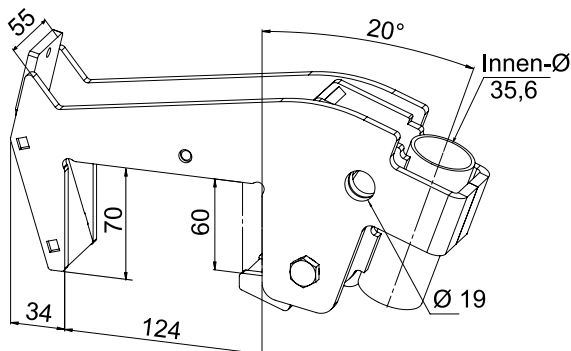


During mounting the railing posts and the boards are inclined towards the concreting platform.



Slide outwards and secure automatically!

TECHNICAL DATA:



FS-clamp

Weight [kg/unit]	Item No.
3.10	330290



ROBUSTA-GAUKEL GMBH & CO. KG

Headquarter:

Brunnenstraße 36
D-71263 Weil der Stadt-Hausen
Phone +49 70 33 537 1-0
Fax +49 70 33 537-31
Internet www.robusta-gaukel.com
E-Mail info@robusta-gaukel.com

Berlin office:

Rohdestraße 19
D-12099 Berlin (Tempelhof)
Phone: +49 030 75 70 70 00
Fax: +49 030 75 70 70 07
Internet www.robusta-gaukel.com
E-Mail nl-berlin@robusta-gaukel.com